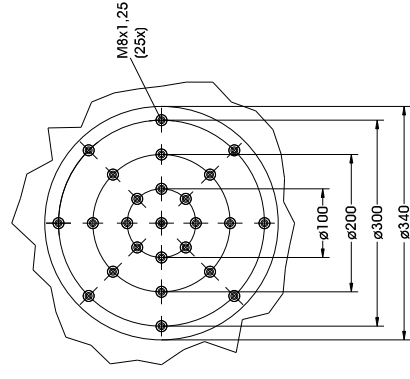
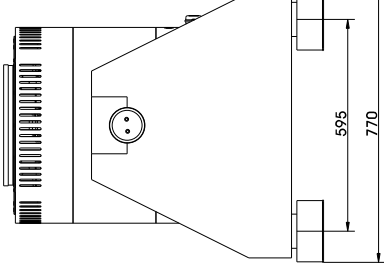
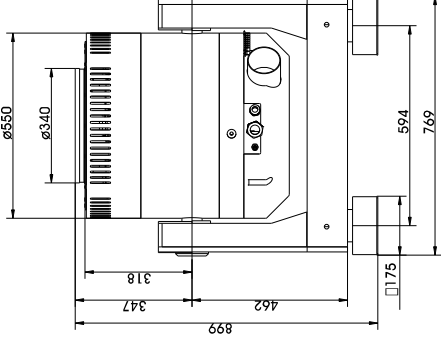


**TECHNICAL PARAMETERS** Vibration exciter S 56263/LS-340

Rated peak force $S_{pk}/Random/Shock_{pk}^1$	6300/5600/18900 N
Frequency range	2-3000 Hz
Main resonance frequency	>2500 Hz
Max. displacement Peak-Peak	50.8 mm
Max. velocity Sine/Random/Shock	2.0/2.0/2.5 m/s
Max. acceleration Sine/Random/Shock <sup>1</sup>	75/52/151 g
Suspension stiffness	50 N/mm
Effective moving mass	8.5 kg
Max. weight tested	150 kg
Weight	780 kg
Magn. stray field Std./low degaussing	<1.5/<0.8 mT
Armature diameter	340 mm
Min. required compressed air supply	600 kPa
Interlocks	Temperature, displacement, cooling air, overcurrent, compressed air

<sup>1)</sup> theoretical maximum shock value. Depends on payload, amplifier, shock and shock width



**SCOPE OF DELIVERY, OPTIONS AND FEATURES OF THE SYSTEM**

<b>Scope of delivery:</b>	<b>Options:</b>	<b>Features:</b>
Vibration exciter 6.3 kN	Different hole pattern of armature (different pitch diameter and/or thread inserts at customers request)	Vibration isolation < 6 Hz
Swivel frame	Low degaussing kit to further reduce stray magnetic field	Coarse filter unit
Power amplifier 11 kVA	Squeak&Rattle (Silent operation without blower)	Fully automatic pneumatic load compensation
Cooling blower	Wheels&Rails (incl. 3m rails)	Automatic centering of the armature
Connection cables (each 5 m)	Thermobarrier (-40°C to +140°C)	Degauss kit to reduce stray magnetic field
Power cables (5 m) for amplifier (CEE 32 connector)	Chamber leadthrough	Integrated mains switch and line filter
Blower hose ø100 mm (5 m)	Climatic chamber support kit	Integrated field power supply
Compressed-air hose NW 7,2 (Standard) (3 m)	Remote control (Software)	Noise-button
	Silencer for cooling blower (Noise reduction 3 - 6 dB(A))	Input voltage analyzer
	Acoustic enclosure for cooling blower (Noise reduction 5 - 23 dB(A))	Voltage clipping limiter to avoid clipping
	Cable extension	3 Sigma Peak current
	Factory acceptance test	Made in Germany
		Servicehotline

## TECHNICAL PARAMETERS Amplifier A 1 02 1 011

Output power<sub>RMS</sub>  
Frequency range  
Voltage<sub>RMS</sub>, max.  
Current<sub>RMS</sub>, max.  
Load resistance, opt.  
Signal input voltage<sub>RMS</sub> (switchable)  
Distortion  
Signal to noise ratio  
Field voltage, max.  
Field current, max.  
Weight  
Dimensions (WxHxD)  
Power supply (Standard)  
Recommended fuse protection (Standard)  
Max. power consumption at 400 V (incl. blower)  
Interlocks:

**Features:**  
High signal to noise ratio of > 90 dB  
Field supply integrated  
Mains switch and integrated line filter  
ESD-monitoring  
(Protection of the system against damage)  
Field voltage/Field current variable according to customer spec.

11000 VA  
DC - 4 kHz  
105 V  
100 A  
1 Ohm  
2.5/5/10 V  
< 0.5 %  
> 90 dB  
280 V  
6 A  
290 kg  
600 x 1800 x 800 mm  
3~ / N / PE 400 V ± 5% 50 Hz, CEE 32  
32 A slow  
14.6 kVA  
Overload, temperature, clipping and more

Noise-button  
Input voltage analyzer  
Voltage clipping limiter to avoid clipping  
3 Sigma peak current

## TECHNICAL PARAMETERS Cooling blower TB 9

Volume flow rate  
Total pressure difference  
Power  
Frequency  
Hose diameter  
Hose length (Std.)  
Weight  
Dimensions (WxHxD)  
Sound pressure level, max.  
Power supply (standard)  
Max. power consumption at 400 V

**Options:**  
Silencer TB 9-SI (Noise reduction 3 - 6 dB(A))  
Dimensions (LxD): 1012 x 150 mm  
Weight: 1.2 kg  
Acoustic enclosure TB 9-AE (Noise reduction 5 - 23 dB(A))  
Dimensions (WxHxD): 1094 x 1086 x 1000 mm  
Weight: 134 kg  
Hose length according to customer's request (up to 10 m)



Cooling blower TB 9



Silencer TB 9-SI (optional)



Acoustic enclosure TB 9-AE (optional)