

**TECHNICAL PARAMETERS** Vibration exciter S 56280/LS-180

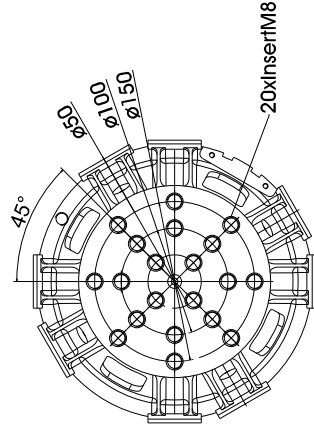
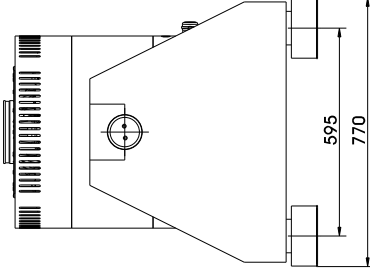
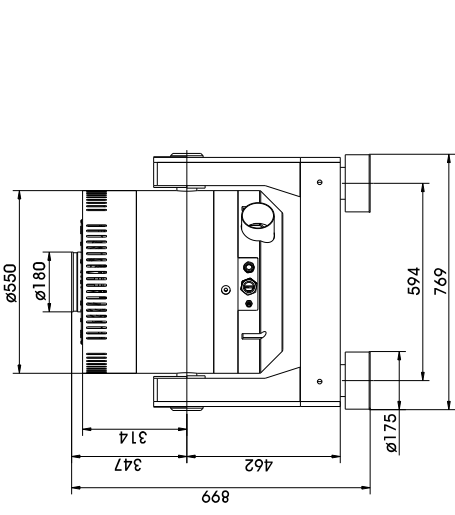
Rated peak force $S_{pk}/Random_{rms}/Shock_{pk}^1$	8000/7200/24000 N
Frequency range	2-3000 Hz
Main resonance frequency	>2900 Hz
Max. displacement Peak-Peak	50.8 mm
Max. velocity Sine/Random/Shock	2.0/2.0/2.5 m/s
Max. acceleration Sine/Random/Shock <sup>1</sup>	93/72/186 g
Suspension stiffness	50 N/mm
Effective moving mass	8.5 kg
Max. weight tested	150 kg
Weight	765 kg
Magn. stray field Std./low degaussing	<1.5/<0.8 mT
Armature diameter	180 mm
Min. required compressed air supply	600 kPa
Interlocks	Temperature, displacement, cooling air, overcurrent, compressed air

<sup>1)</sup> theoretical maximum shock value. Depends on payload, amplifier, shock and shock width

**SCOPE OF DELIVERY, OPTIONS AND FEATURES OF THE SYSTEM**

<b>Scope of delivery:</b>	<b>Options:</b>
Vibration exciter 8 kN	Different hole pattern of armature (different pitch diameter and/or thread inserts at customers request)
Swivel frame	Low degaussing kit to further reduce stray magnetic field
Power amplifier 16 kVA	Squeak&Rattle (Silent operation without blower)
Cooling blower	Wheels&Rails (incl. 3m rails)
Connection cables (each 5 m)	Thermobarrier (-40°C to +140°C)
Power cables (5 m) for amplifier (CEE 32 connector)	Chamber leadthrough
Blower hose ø100 mm (5 m)	Climatic chamber support kit
Compressed-air hose NW 7,2 (Standard) (3 m)	Remote control (Software)
	Silencer for cooling blower (Noise reduction 3 - 6 dB(A))
	Acoustic enclosure for cooling blower (Noise reduction 5 - 23 dB(A))
	Cable extension
	Factory acceptance test

**Features:**  
 Vibration isolation < 6 Hz  
 Coarse filter unit  
 Fully automatic pneumatic load compensation  
 Automatic centering of the armature  
 Degauss kit to reduce stray magnetic field  
 Integrated mains switch and line filter  
 Integrated field power supply  
 Noise-button  
 Input voltage analyzer  
 Voltage clipping limiter to avoid clipping  
 3 Sigma Peak current  
 Made in Germany  
 Servicehotline



Armature 180 (Standard)

## TECHNICAL PARAMETERS Amplifier A 1 02 1 016

Output power<sub>RMS</sub>  
Frequency range  
Voltage<sub>RMS</sub>, max.  
Current<sub>RMS</sub>, max.  
Load resistance, opt.  
Signal input voltage<sub>RMS</sub> (switchable)  
Distortion  
Signal to noise ratio  
Field voltage, max.  
Field current, max.  
Weight  
Dimensions (WxHxD)  
Power supply (Standard)  
Recommended fuse protection (Standard)  
Max. power consumption at 400 V (incl. blower)  
Interlocks:

**Features:**  
High signal to noise ratio of > 90 dB  
Field supply integrated  
Mains switch and integrated line filter  
ESD-monitoring  
(Protection of the system against damage)  
Field voltage/Field current variable according to customer spec.

16000 VA  
DC - 4 kHz  
105 V  
150 A  
1 Ohm  
2.5/5/10 V  
< 0.7 %  
> 90 dB  
280 V  
6 A  
330 kg  
600 x 1800 x 800 mm  
3~ / N / PE 400 V ±5% 50 Hz, CEE 32  
32 A slow  
16 kVA  
Overload, temperature, clipping and more

Noise-button  
Input voltage analyzer  
Voltage clipping limiter to avoid clipping  
3 Sigma peak current

## TECHNICAL PARAMETERS Cooling blower TB 9

Volume flow rate  
Total pressure difference  
Power  
Frequency  
Hose diameter  
Hose length (Std.)  
Weight  
Dimensions (WxHxD)  
Sound pressure level, max.  
Power supply (standard)  
Max. power consumption at 400 V

**Options:**  
Silencer TB 9-SI (Noise reduction 3 - 6 dB(A))  
Dimensions (LxD): 1012 x 150 mm  
Weight: 1.2 kg  
Acoustic enclosure TB 9-AE (Noise reduction 5 - 23 dB(A))  
Dimensions (WxHxD): 1094 x 1086 x 1000 mm  
Weight: 134 kg  
Hose length according to customers request (up to 10 m)



Cooling blower TB 9



Silencer TB 9-SI (optional)



Acoustic enclosure TB 9-AE (optional)