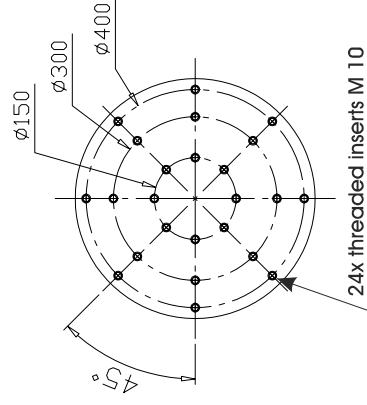
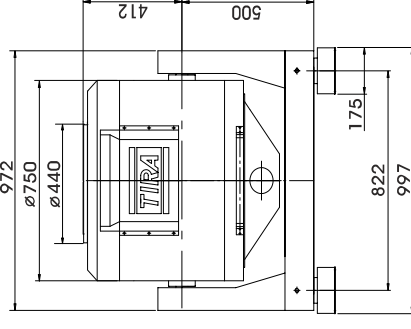
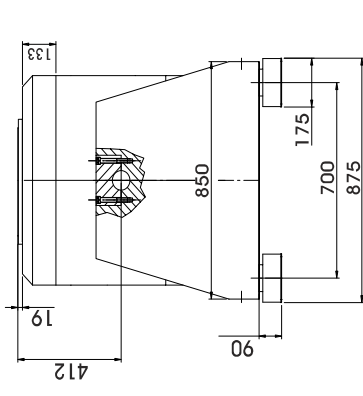


**TECHNICAL PARAMETERS** Vibration exciter S 59320/\*-440

Rated peak force $S_{pk}/Random_{rev}/Shock_{pk}^{-1}$	20000/18000/60000 N
Frequency range	5 - 3000 Hz
Main resonance frequency	> 2400 Hz
Max. displacement	50.8 mm
Max. displacement Peak-Peak	2.0/1.8/2.5 m/s
Max. velocity Sine/Random/Shock	73/58/146 g
Max. acceleration Sine/Random/Shock <sup>1</sup>	150 N/mm
Suspension stiffness	28.0 kg
Effective moving mass	410 kg
Max. weight tested	1850/2100/1750 kg
Weight with trunnion RIT/AIT/LB*	<1.5/<0.8 mT
Magn. stray field std./low degaussing	Min. 600 kPa
Armature diameter	Temperature, displacement, cooling air, overcurrent, compressed air
Required compressed air supply	
Interlocks	

1) theoretical maximum shock value. Depends on payload, amplifier, shock and shock width  
\* RIT, AIT or LB



Armature 440 (Standard)

**SCOPE OF DELIVERY, OPTIONS AND FEATURES OF THE SYSTEM**

<b>Scope of delivery:</b>	<b>Options:</b>
Vibration exciter 20 kN	AIT-Swivel frame with integrated vibration isolation
Swivel frame (AIT, RIT or LB)	RIT-Swivel frame
Power amplifier, 34 kVA	LB-frame
Cooling blower	Different hole pattern of armature (different pitch diameter and/or thread inserts) at customers request
Connection cables (each 10 m)	Low degaussing kit to further reduce stray magnetic field
Power cables (10 m) for amplifier (CEE 63 connector)	Wheels&Rails (incl. 3m rails)
Blower hose ø150 mm (5 m)	Thermobarrier (-40°C to +140°C)
Compressed-air hose NW 7.2 (Standard) (5 m)	Chamber leadthrough
	Climatic chamber support kit
	Remote control (Software)
	Silencer for cooling blower (Noise reduction 6 - 10 dB(A))
	Acoustic enclosure for cooling blower (Noise reduction 5 - 23 dB(A))
	Cable extension
	Factory acceptance test

- Features:**
- Vibration isolation < 3 Hz (AIT) < 6 Hz (RIT;LB)
  - Coarse filter unit
  - Fully automatic pneumatic load compensation
  - AIT fixable
  - Automatic centering of the AIT-System and the armature
  - Degauss kit to reduce stray magnetic field
  - Integrated mains switch and line filter
  - Integrated field power supply
  - Energy-saving mode
  - Noise-button
  - Input voltage analyzer
  - Voltage clipping limiter to avoid clipping
  - 3 Sigma peak current
  - Made in Germany
  - Servicehotline

TECHNICAL PARAMETERS Amplifier A 3 07 3 034

Output power <sub>rms</sub>  
 Frequency range  
 Voltage <sub>rms</sub>, max.  
 Current <sub>rms</sub>, max.  
 Load resistance, opt.  
 Signal input voltage <sub>rms</sub> (switchable)  
 Distortion  
 Signal to noise ratio  
 Field voltage, max.  
 Field current, max.  
 Weight  
 Dimensions (WxHxD)  
 Power supply (Standard)  
 Recommended fuse protection (Standard)  
 Max. power consumption at 400 V (incl. blower)  
 Interlocks:

34000 VA  
 DC - 4 kHz  
 150 V  
 225 A  
 1 Ohm  
 2.5/5/10 V  
 < 0.7 %  
 > 90 dB  
 85 V  
 85 A  
 615 kg  
 600 x 2200 x 800 mm  
 3~ / N / PE 400 V ±5% 50 Hz, CEE 63  
 63 A slow  
 30 kVA  
 Overload, temperature, clipping  
 and more

Features:  
 High signal to noise ratio of > 90 dB  
 Field supply integrated  
 Mains switch and integrated line filter  
 ESD-monitoring  
 (Protection of the system against damage)  
 Field voltage/field current variable  
 according to customer spec.

Lo-Field/Hi-Field button (Energy-saving mode)  
 Noise-button  
 Input voltage analyzer  
 Voltage clipping limiter to avoid  
 clipping  
 3 Sigma peak current

TECHNICAL PARAMETERS Cooling blower TB 8

Volume flow rate  
 Total pressure difference  
 Power  
 Frequency  
 Hose diameter  
 Hose length (Std.)  
 Weight  
 Dimensions (WxHxD)  
 Sound pressure level, max.  
 Power supply (standard)  
 Max. power consumption at 400 V

max. 3300 m<sup>3</sup>/h  
 max. 5.2 kPa  
 5.5 kW  
 50 Hz  
 150 mm  
 5 m  
 127 kg  
 841 x 916 x 592 mm  
 93 dB(A)  
 by amplifier rack  
 8 kVA

Options:  
 Silencer TB 8-SI (Noise reduction 6 - 10 dB(A))  
 Dimensions (LxD): 1200 x 340 mm  
 Weight: 3.3 kg  
 Acoustic enclosure TB 8-AE (Noise reduction 5 - 23 dB(A))  
 Dimensions (WxHxD): 1179 x 1271 x 1094 mm  
 Weight: 134 kg  
 Hose length according to customers request (up to 10 m)



Cooling blower TB 8



Silencer TB 8-SI  
(optional)



Acoustic enclosure TB 8-AE  
(optional)