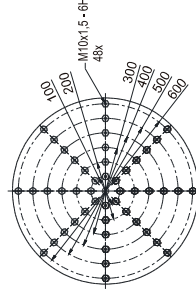
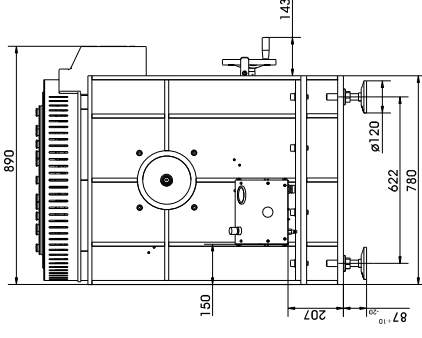
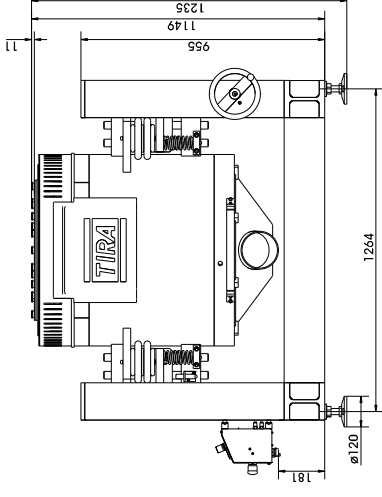


**TECHNICAL PARAMETERS** Vibration exciter S 59327/\*-640

Rated peak force $S_{pk}/Random_{rev}/Shock_{pk}^1$	27000/27000/80000 N
Frequency range	5 - 2000 Hz
Main resonance frequency	> 1900 Hz
Max. displacement	50.8 mm
Max. displacement Peak-Peak	2.0/1.8/2.5 m/s
Max. velocity Sine/Random/Shock	66/50/131 g
Max. acceleration Sine/Random/Shock <sup>1</sup>	150 N/mm
Suspension stiffness	40.5 kg
Effective moving mass	610 kg
Max. weight tested	2350/2700/2250 kg
Weight with trunnion RIT/AIT/LB*	<2/<1 mT
Magn. stray field std./low degaussing	640 mm
Armature diameter	600-1000 kPa
Required compressed air supply (load-dependent)	Temperature, displacement, cooling air, overcurrent, compressed air
Interlocks	

1) theoretical maximum shock value. Depends on payload, amplifier, shock and shock width  
\* RIT, AIT or LB



Armature 640 (Standard)

**SCOPE OF DELIVERY, OPTIONS AND FEATURES OF THE SYSTEM**

<b>Scope of delivery:</b> Vibration exciter 27 kN Trunnion mount (AIT, RIT or LB) Power amplifier 45 kVA Cooling blower Frequency converter Connection cables (each 10 m) Power cables (10 m) for amplifier (CEE 63 connector) and cooling blower (CEE 32 connector) Blower hose ø150 mm (5 m) Compressed-air hose NW 7,2 (Standard) (5 m)	<b>Options:</b> AIT-trunnion mount with integrated vibration isolation RIT-trunnion mount LB-frame Low degaussing kit to further reduce stray magnetic field Airglide-option (Shaker movable on air cushions) Wheels&Rails (incl. 3m rails) Thermobarrier (-40°C to +140°C) Chamber leadthrough Climatic chamber support kit Remote control (Software) Silencer for cooling blower (Noise reduction 9 - 15 dB(A)) Acoustic enclosure for cooling blower (Noise reduction 5 - 23 dB(A)) Water-cooled acoustic enclosure for cooling blower (Noise reduction 30 dB(A)) Cable extension Factory acceptance test	<b>Features:</b> Vibration isolation < 3 Hz (AIT) < 6 Hz (RIT;LB) Coarse filter unit Fully automatic pneumatic load compensation AIT fixable Automatic centering of the AIT-system and the armature Degauss kit to reduce stray magnetic field Integrated mains switch and line filter Integrated field power supply Energy-saving mode Noise-button Input voltage analyzer Voltage clipping limiter to avoid clipping 3 Sigma peak current Made in Germany Servicehotline
--	---	---

TECHNICAL PARAMETERS Amplifier A 3 08 3 057

Output power <sub>rms</sub>  
 Frequency range  
 Voltage <sub>rms</sub> max.  
 Current <sub>rms</sub> max.  
 Load resistance, opt.  
 Signal input voltage <sub>rms</sub> (switchable)  
 Distortion  
 Signal to noise ratio  
 Field voltage, max.  
 Field current, max.  
 Weight  
 Dimensions (WxHxD)  
 Power supply (Standard)  
 Recommended fuse protection (Standard)  
 Max. power consumption at 400 V  
 Interlocks:

57000 VA  
 DC - 4 kHz  
 150 V  
 375 A  
 1 Ohm  
 2.5/5/10 V  
 < 0.7 %  
 > 90 dB  
 105 V  
 75 A  
 640 kg  
 600 x 2200 x 800 mm  
 3~ / N / PE 400 V ±5% 50 Hz, CEE 63  
 63 A slow  
 28 kVA  
 Overload, temperature, clipping  
 and more

Features:  
 High signal to noise ratio of > 90 dB  
 Field supply integrated  
 Mains switch and integrated line filter  
 ESD-monitoring  
 (Protection of the system against damage)  
 Field voltage/field current variable  
 according to customer spec.

Lo-Field/Hi-Field button (Energy-saving mode)  
 Noise-button  
 Input voltage analyzer  
 Voltage clipping limiter to avoid  
 clipping  
 3 Sigma peak current

TECHNICAL PARAMETERS Cooling blower TB 7/FU/11

Volume flow rate  
 Total pressure difference  
 Power  
 Frequency  
 Hose diameter  
 Hose length (Std.)  
 Weight  
 Dimensions (WxHxD)  
 Sound pressure level, max.  
 Frequency converter (fixation to wall):  
 Weight  
 Dimensions (WxHxD)  
 Power supply (variable)  
 Recommended fuse protection (Standard)  
 Max. power consumption at 400 V

max. 1920 m<sup>3</sup>/h  
 max. 10.2 - 10.6 kPa  
 11 kW  
 105 Hz  
 150 mm  
 5 m  
 157 kg  
 625 x 700 x 537 mm  
 102 dB(A)  
 30 kg  
 380 x 600 x 350 mm  
 3~ / PE 400 V ±5% 50 Hz, CEE 32  
 35 A slow  
 17.5 kVA

Options:  
 Silencer TB 7FU-SI (Noise reduction 9 - 15 dB(A))  
 Dimensions (LxD): 1120 x 280 mm  
 Weight: 9.2 kg  
 Acoustic enclosure TB 7FU-AE (Noise reduction 5 - 23 dB(A))  
 Dimensions (WxHxD): 1130 x 1630 x 1630 mm  
 Weight: 103 kg  
 Water-cooled acoustic enclosure WWT (Noise reduction 30 dB(A))  
 Dimensions (WxHxD): 1500 x 2080 x 1200 mm  
 Weight: 800 kg  
 Hose length according to customers request (up to 10 m)



Frequency converter (enclosure)



Cooling blower TB 7/FU/11



Silencer TB 7FU-SI  
(optional)



Acoustic enclosure TB 7FU-AE  
(optional)