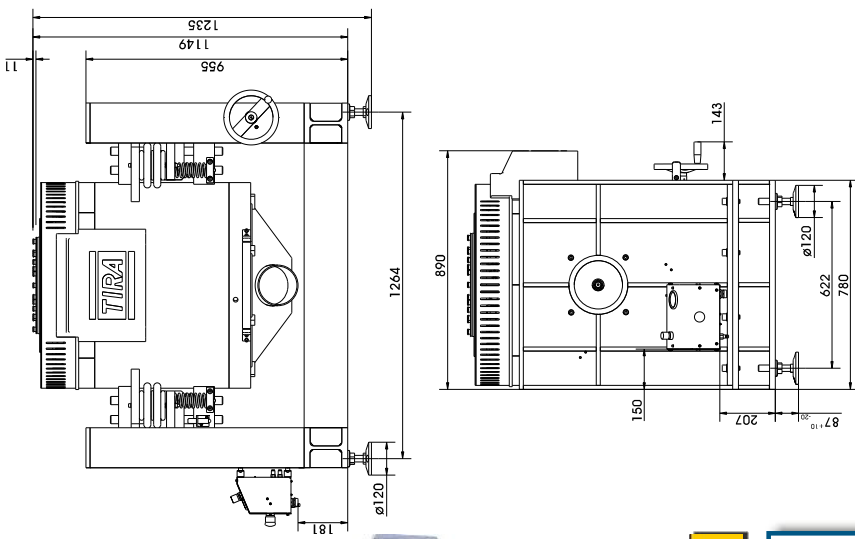


**TECHNICAL PARAMETERS Vibration exciter S 59335/\*-340**

Rated peak force $S_{pk}/Random_{RMS}/Shock_{pk}^1$	35000/32000/105000 N
Frequency range	5 - 3000 Hz
Main resonance frequency	> 2400 Hz
Max. displacement	50.8 mm
Max. displacement Peak-Peak	2.0/1.8/2.5 m/s
Max. velocity Sine/Random/Shock	100/88/220 g
Max. acceleration Sine/Random/Shock <sup>1</sup>	150 N/mm
Suspension stiffness	29.0 kg
Effective moving mass	610 kg
Max. weight tested	2350/2700/2250 kg
Weight with trunnion RIT/AIT/LB*	<1.5/<0.8 mT
Magn. stray field std./low degaussing	340 mm
Armature diameter	600-1000 kPa
Required compressed air supply (load-dependent)	Temperature, displacement, cooling air, overcurrent, compressed air
Interlocks	

1) theoretical maximum shock value. Depends on payload, amplifier, shock and shock width  
\* RIT, AIT or LB

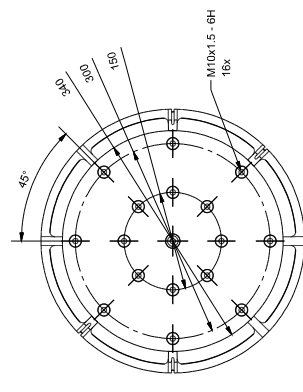


**SCOPE OF DELIVERY, OPTIONS AND FEATURES OF THE SYSTEM**

<b>Scope of delivery:</b>	<b>Options:</b>
Vibration exciter 35 kN	AIT-trunnion mount
Trunnion mount (AIT, RIT or LB)	with integrated vibration isolation
Power amplifier 57 kVA	RIT-trunnion mount
Cooling blower	LB-frame
Frequency converter	Low degaussing kit to further reduce stray magnetic field
Connection cables (each 10 m)	Airglide-option (Shaker movable on air cushions)
Power cables (10 m)	Low Pressure unit for operation
for amplifier (CEE 63 connector) and cooling blower (CEE 32 connector)	with vacuum chambers
Blower hose Ø150 mm (5 m)	Wheels&Rails (incl. 3m rails)
Compressed-air hose NW 7,2 (Standard) (5 m)	Thermobarrier (-40°C to +140°C)
	Chamber leadthrough
	Climatic chamber support kit
	Remote control (Software)
	Silencer
<b>Options:</b>	for cooling blower (Noise reduction 9 - 15 dB(A))
Different hole pattern of armature (different pitch diameter and/or thread inserts) at customers request	Acoustic enclosure
	for cooling blower (Noise reduction 5 - 23 dB(A))
	Water-cooled acoustic enclosure
	for cooling blower (Noise reduction 30 dB(A))
	Cable extension
	Factory acceptance test

**Features:**  
 Vibration isolation < 3 Hz (AIT)  
 < 6 Hz (RIT;LB)  
 Coarse filter unit  
 Fully automatic pneumatic load compensation  
 AIT fixable  
 Automatic centering of the AIT-System and the armature  
 Degauss kit to reduce stray magnetic field  
 Integrated mains switch and line filter  
 Integrated field power supply  
 Energy-saving mode  
 Noise-button  
 Input voltage analyzer  
 Voltage clipping limiter to avoid clipping  
 3 Sigma peak current  
 Made in Germany  
 Servicehotline

Armature 340 (Standard)



TECHNICAL PARAMETERS Amplifier A 3 08 3 057

Output power <sub>rms</sub>  
 Frequency range  
 Voltage <sub>rms</sub> max.  
 Current <sub>rms</sub> max.  
 Load resistance, opt.  
 Signal input voltage <sub>rms</sub> (switchable)  
 Distortion  
 Signal to noise ratio  
 Field voltage, max.  
 Field current, max.  
 Weight  
 Dimensions (WxHxD)  
 Power supply (Standard)  
 Recommended fuse protection (Standard)  
 Max. power consumption at 400 V  
 Interlocks:

57000 VA  
 DC - 4 kHz  
 150 V  
 375 A  
 2.5/5/10 V  
 < 0.7 %  
 > 90 dB  
 105 V  
 75 A  
 640 kg  
 600 x 2200 x 800 mm  
 3~/N/PE 400 V±5% 50 Hz, CEE 63  
 63 A slow  
 38 kVA  
 Overload, temperature, clipping  
 and more

Features:  
 High signal to noise ratio of > 90 dB  
 Field supply integrated  
 Mains switch and integrated line filter  
 ESD-monitoring  
 (Protection of the system against damage)  
 Field voltage/field current variable  
 according to customer spec.

Lo-Field/Hi-Field button (Energy-saving mode)  
 Noise-button  
 Input voltage analyzer  
 Voltage clipping limiter to avoid  
 clipping  
 3 Sigma peak current

TECHNICAL PARAMETERS Cooling blower TB 7/FU/11

Volume flow rate  
 Total pressure difference  
 Power  
 Frequency  
 Hose diameter  
 Hose length (Std.)  
 Weight  
 Dimensions (WxHxD)  
 Sound pressure level, max.  
 Frequency converter (fixation to wall):  
 Weight  
 Dimensions (WxHxD)  
 Power supply (variable)  
 Recommended fuse protection (Standard)  
 Max. power consumption at 400 V

max. 1920 m<sup>3</sup>/h  
 max. 10.2 - 10.6 kPa  
 11 kW  
 105 Hz  
 150 mm  
 5 m  
 157 kg  
 625 x 700 x 537 mm  
 102 dB(A)

30 kg  
 380 x 600 x 350 mm  
 3~/PE 400 V±5% 50 Hz, CEE 32  
 35 A slow  
 17.5 kVA

Options:  
 Silencer TB 7FU-SI (Noise reduction 9 - 15 dB(A))  
 Dimensions (LxD): 1120 x 280 mm  
 Weight: 9.2 kg  
 Acoustic enclosure TB 7FU-AE (Noise reduction 5 - 23 dB(A))  
 Dimensions (WxHxD): 1130 x 1630 x 1630 mm  
 Weight: 103 kg  
 Water-cooled acoustic enclosure WWT (Noise reduction 30 dB(A))  
 Dimensions (WxHxD): 1500 x 2080 x 1200 mm  
 Weight: 800 kg  
 Hose length according to customers request (up to 10 m)



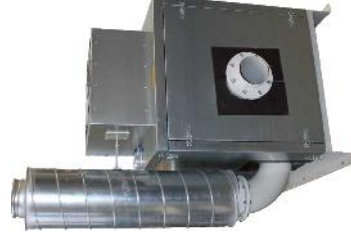
Frequency converter (enclosure)



Cooling blower TB 7/FU/11



Silencer TB 7FU-SI (optional)



Acoustic enclosure TB 7FU-AE (optional)