

### TECHNICAL PARAMETERS Vibration exciter S 59335/\*-440

Rated peak force $S_{pk}/Random/ Shock_{pk}^1$	35000/32000/105000 N
Frequency range	5 - 3000 Hz
Main resonance frequency	> 2400 Hz
Max. displacement	50.8 mm
Max. velocity	2.0/1.8/2.5 m/s
Max. acceleration	100/67/207 g
Suspension stiffness	150 N/mm
Effective moving mass	38.0 kg
Max. weight tested	610 kg
Weight with trunnion RIT/AIT/LB*	2350/2700/2250 kg
Magn. stray field std./low degaussing	<1.5/<0.8 mT
Armature diameter	440 mm
Required compressed air supply (load-dependent)	600-1000 kPa
Interlocks	Temperature, displacement, cooling air, overcurrent, compressed air

1) theoretical maximum shock value. Depends on payload, amplifier, shock and shock width  
2) optionally displacement of 76.2 mm (3 inch); impact by moving to static mass and frequency is possible  
\* RIT, AIT or LB

### SCOPE OF DELIVERY, OPTIONS AND FEATURES OF THE SYSTEM

#### Scope of delivery:

Vibration exciter 35 kN  
Trunnion mount (AIT, RIT or LB)  
Power amplifier 57 kVA  
Cooling blower  
Frequency converter  
Connection cables (each 10 m)  
Power cables (10 m)  
for amplifier (CEE 63 connector) and cooling blower (CEE 32 connector)  
Blower hose  $\phi$ 150 mm (5 m)  
Compressed-air hose NW 7,2 (Standard) (5 m)

#### Options:

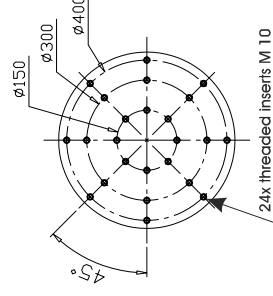
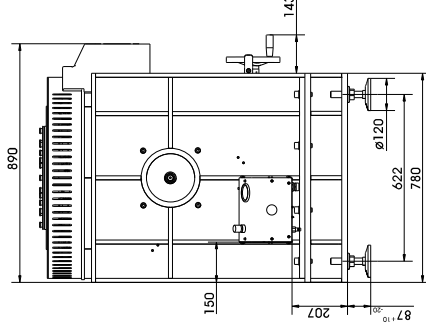
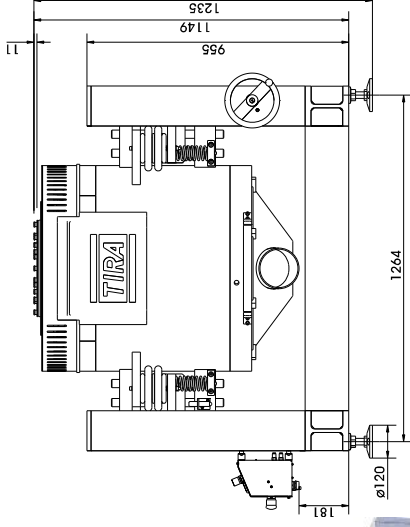
Different hole pattern of armature (different pitch diameter and/or thread inserts) at customers request

#### Options:

3 inch (76.2 mm) displacement  
AIT-trunnion mount  
with integrated vibration isolation  
RIT-trunnion mount  
LB-frame  
Dual Bearing armature  
Low degaussing kit to further reduce stray magnetic field  
Airglide-option (Shaker movable on air cushions)  
Wheels&Rails (incl. 3m rails)  
Thermobarrier (-40°C to +140°C)  
Chamber leadthrough  
Climatic chamber support kit  
Remote control (Software)  
Silencer  
for cooling blower (Noise reduction 9 - 15 dB(A))  
Acoustic enclosure  
for cooling blower (Noise reduction 5 - 23 dB(A))  
Water-cooled acoustic enclosure  
for cooling blower (Noise reduction 30 dB(A))  
Cable extension  
Factory acceptance test

#### Features:

Vibration isolation < 3 Hz (AIT)  
< 6 Hz (RIT;LB)  
Coarse filter unit  
Fully automatic pneumatic load compensation  
AIT fixable  
Automatic centering of the AIT-System and the armature  
Degauss kit to reduce stray magnetic field  
Integrated mains switch and line filter  
Integrated field power supply  
Energy-saving mode  
Noise-button  
Input voltage analyzer  
Voltage clipping limiter to avoid clipping  
3 Sigma peak current  
Made in Germany  
Servicehotline



Armature 440 (Standard)

## TECHNICAL PARAMETERS Amplifier A 3 08 3 057

Output power <sub>rms</sub>  
 Frequency range  
 Voltage <sub>rms</sub> max.  
 Current <sub>rms</sub> max.  
 Load resistance, opt.  
 Signal input voltage <sub>rms</sub> (switchable)  
 Distortion  
 Signal to noise ratio  
 Field voltage, max.  
 Field current, max.  
 Weight  
 Dimensions (WxHxD)  
 Power supply (Standard)  
 Recommended fuse protection (Standard)  
 Max. power consumption at 400 V  
 Interlocks:

57000 VA  
 DC - 4 kHz  
 150 V  
 375 A  
 2.5/5/10 V  
 < 0.7 %  
 > 90 dB  
 105 V  
 75 A  
 640 kg  
 600 x 2200 x 800 mm  
 3~/N/PE 400 V±5% 50 Hz, CEE 63  
 63 A slow  
 38 kVA  
 Overload, temperature, clipping  
 and more

Features:  
 High signal to noise ratio of > 90 dB  
 Field supply integrated  
 Mains switch and integrated line filter  
 ESD-monitoring  
 (Protection of the system against damage)  
 Field voltage/field current variable  
 according to customer spec.

Lo-Field/Hi-Field button (Energy-saving mode)  
 Noise-button  
 Input voltage analyzer  
 Voltage clipping limiter to avoid  
 clipping  
 3 Sigma peak current

## TECHNICAL PARAMETERS Cooling blower TB 7/FU/11

Volume flow rate  
 Total pressure difference  
 Power  
 Frequency  
 Hose diameter  
 Hose length (Std.)  
 Weight  
 Dimensions (WxHxD)  
 Sound pressure level, max.  
 Frequency converter (fixation to wall):  
 Weight  
 Dimensions (WxHxD)  
 Power supply (variable)  
 Recommended fuse protection (Standard)  
 Max. power consumption at 400 V

max. 1920 m³/h  
 max. 10.2 - 10.6 kPa  
 11 kW  
 105 Hz  
 150 mm  
 5 m  
 157 kg  
 625 x 700 x 537 mm  
 102 dB(A)  
 30 kg  
 380 x 600 x 350 mm  
 3~/PE 400 V±5% 50 Hz, CEE 32  
 35 A slow  
 17.5 kVA

Options:  
 Silencer TB 7FU-SI (Noise reduction 9 - 15 dB(A))  
 Dimensions (LxD): 1120 x 280 mm  
 Weight: 9.2 kg  
 Acoustic enclosure TB 7FU-AE (Noise reduction 5 - 23 dB(A))  
 Dimensions (WxHxD): 1130 x 1630 x 1630 mm  
 Weight: 103 kg  
 Water-cooled acoustic enclosure WWT (Noise reduction 30 dB(A))  
 Dimensions (WxHxD): 1500 x 2080 x 1200 mm  
 Weight: 800 kg  
 Hose length according to customers request (up to 10 m)



Frequency converter (enclosure)



Cooling blower TB 7/FU/11



Silencer TB 7FU-SI (optional)



Acoustic enclosure TB 7FU-AE (optional)