

TECHNICAL PARAMETERS Vibration exciter S 55240/LS-340

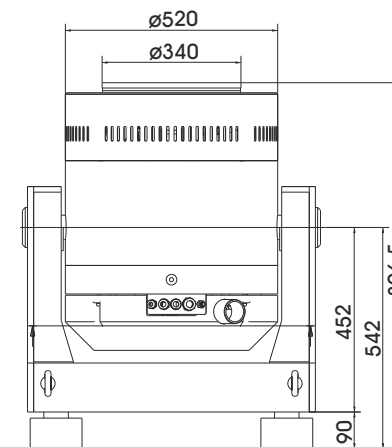
Rated peak force Sine _{pk} /Random _{RMS} ¹ /Shock _{pk} ²	4000/3600/12000 N
Frequency range	2 - 3000 Hz
Main resonance frequency	>2700 Hz
Max. displacement Peak-Peak	50.8 mm
Max. velocity Sine/Random/Shock	2.0/2.0/2.4 m/s
Max. acceleration Sine/Random/Shock	50/45/130 g
Suspension stiffness	50 N/mm
Effective moving mass (±5%)	8.3 kg
Max. payload	250 kg
Total mass	780 kg
Magn. stray field Std./low degaussing ³	<1.5/<0.8 mT
Armature diameter	340 mm
Min. required compressed air supply	600 kPa
Interlocks	Field coil temperature, displacement, cooling air, overcurrent, compressed air

1) Random force according to ISO 5344:2004

2) Theoretical maximum shock value. Depends on payload, amplifier, shock and shock width

3) measured at 150 mm above armature

For long-term tests, the load must be reduced to 80 %. Continuous operation at maximum load can cause damage.



SCOPE OF DELIVERY, OPTIONS AND FEATURES OF THE SYSTEM

Scope of delivery:

- Vibration exciter 4 kN
- Trunnion mount
- Power amplifier 15 kVA
- Cooling blower
- Connection cable (5 m)
- Power cable (5 m)
for amplifier (CEE 32 connector)
- Blower hose ø60 mm (5 m)
- Compressed-air hose NW 7,2
(Standard) (3 m)

Options:

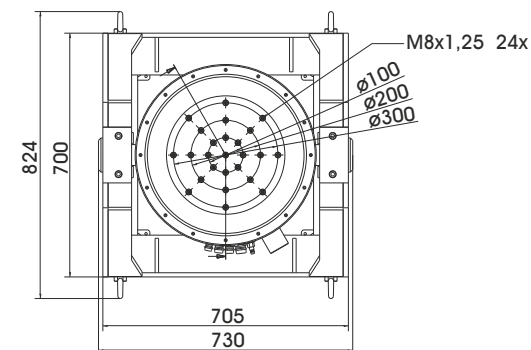
- Different thread inserts in the armature
at customer request
- Low degaussing kit
to further reduce stray magnetic field
- Squeak&Rattle (Silent operation without blower)
- Wheels&Rails (incl. 3m rails)
- Thermobarrier (-40°C to +140°C)
- Chamber leadthrough
- Climatic chamber support kit
- Remote control (Software)
- Silencer
for cooling blower (Noise reduction up to 6 dB(A))
- Acoustic enclosure
for cooling blower (Noise reduction 15 - 23 dB(A))
- Cable extension
- Factory acceptance test

Options:

- TIRA EMS** Energy Management System
- Operation with temperature-controlled
cooling blower (and optional with
variable field strength)
- ASM-Mode (Auto Shutdown Manager)

Features:

- Vibration isolation < 6 Hz
- Coarse filter unit
- Fully automatic pneumatic
load compensation
- Automatic centering of the armature
- Degauss kit to reduce stray magnetic field
- Made in Germany
- Servicehotline



TECHNICAL PARAMETERS Amplifier A 1 02 11 021 SV

Max. output power _{RMS} (factory-set)	15000 VA
Frequency range	DC - 5 kHz
Voltage _{RMS} , max.	±212 V
Current _{RMS} , max. (factory-set)	40-100 A
Signal input voltage _{RMS}	10 V
Total Harmonic Distortion (at 70A _{RMS} , 200 Hz)	< 0.2 %
Signal to noise ratio	> 80 dB
Field voltage (factory-set)	140-280 V
Field current (factory-set)	6-8 A
Total mass	330 kg
Dimensions (WxHxD)	600 x 1740 x 800 mm
Power supply (Standard)	3~ / N / PE 400 V±5% 50 Hz, CEE 32
Recommended fuse protection	32 A slow
Max. power consumption at 400 V (incl. blower)	17 kVA
Interlocks:	Overload, Temperature, Displacement, Cooling air, Compressed air, Phase monitoring, Emergency stop

Features:

- Field supply integrated
- Field voltage/Field current variable according to customer spec.
- 4 Sigma peak current
- Mains switch and integrated line filter
- Color Touch Screen

TECHNICAL PARAMETERS Cooling blower TB 0310

Volume flow rate	max. 315 m³/h
Total pressure difference	max. 290 mbar
Power	4 kW
Frequency	50 Hz
Hose diameter	60 mm
Hose length (Std.)	5 m
Total mass	42 kg
Dimensions (WxHxD)	382 x 384 x 432 mm
Sound pressure level, max.	max. 69 dB(A)
Power supply (standard)	by amplifier rack
Max. current consumption at 400 V	7.2 A

Options:

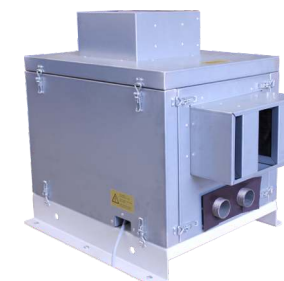
- Silencer TB 0310-SI (Noise reduction up to 6 dB(A))
 - Dimensions (LxD): 308 x 82 mm
 - Mass: 0.58 kg
- Acoustic enclosure TB 0310-AE (Noise reduction 15 - 23 dB(A))
 - Dimensions (WxHxD): 860 x 760 x 650 mm
 - Mass: 55 kg
- Hose length according to customers request (up to 10 m)



Cooling blower TB 0310



Silencer TB 0310-SI (optional)



Acoustic enclosure TB 0310-AE (optional)