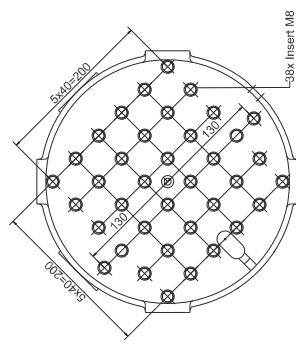
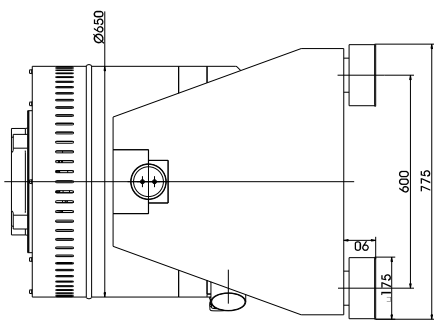
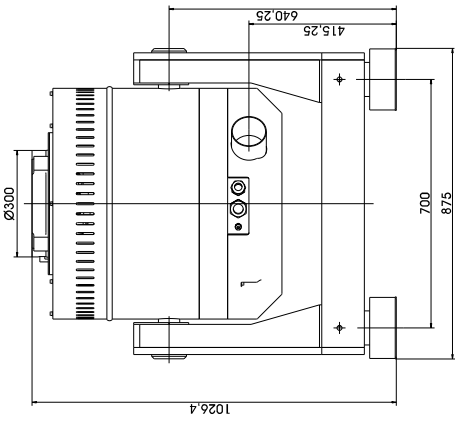


**TECHNICAL PARAMETERS** Vibration exciter S 57315/LSS-300

Rated peak force $S_{pk}/Random_{rev}/Shock_{pk}^1$	15000/11000/37500 N
Frequency range	5-2000 Hz >2000 Hz
Main resonance frequency	100 mm
Max. displacement Peak-Peak <sup>2</sup>	2.0/2.0/4.5 m/s
Max. velocity Sine/Random/Shock	96/96/191 g
Max. acceleration Sine/Random/Shock <sup>1</sup>	electronically adjustable
Suspension stiffness	17.0 kg
Effective moving mass	80 kg
Max. weight tested	1200 kg
Weight	<1.5/<0.8 mT
Magn. stray field Std./low degaussing	Temperature, displacement, cooling air, overcurrent
Armature diameter	300 mm
Interlocks	

1) theoretical maximum shock value. Depends on payload, amplifier, shock and shock width  
2) only with foundation mounting



Lochbild (Standard)

**SCOPE OF DELIVERY, OPTIONS AND FEATURES OF THE SYSTEM**

Scope of delivery:

- Vibration exciter 15 kN
- Swivel frame
- Power amplifier 45 kVA
- Cooling blower
- Connection cables (each 5 m)
- Power cables (5 m)
- for amplifier (CEE 63 connector)
- Blower hose ø100 mm (5 m)

Options:

- Different hole pattern of armature (different pitch diameter and/or thread inserts) at customers request
- Low degaussing kit to further reduce stray magnetic field
- Wheels&Rails (incl. 3m rails)
- Squeak&Rattle (Silent operation without blower)
- Thermobarrier
- Chamber leadthrough
- Climatic chamber support kit
- Remote control (Software)
- Silencer for cooling blower (Noise reduction 3 - 6 dB(A))
- Acoustic enclosure for cooling blower (Noise reduction 5 - 23 dB(A))
- Cable extension
- Factory acceptance test

Features:

- Vibration isolation < 6 Hz
- Coarse filter unit
- Fully automatic electronic load compensation
- Electronic zero point regulation with adjustable stiffness
- Automatic centering of the armature
- Degauss kit to reduce stray magnetic field
- Integrated mains switch and line filter
- Integrated field power supply
- Noise-button
- Input voltage analyzer
- Voltage clipping limiter to avoid clipping
- 3 Sigma Peak current
- Made in Germany
- Servicehotline

## TECHNICAL PARAMETERS Amplifier A 3 01 3 045 T

Output power<sub>RMS</sub>  
Frequency range  
Voltage<sub>RMS</sub>, max.  
Current<sub>RMS</sub>, max.  
Load resistance, opt.  
Signal input voltage<sub>RMS</sub> (switchable)  
Distortion  
Signal to noise ratio  
Field voltage, max.  
Field current, max.  
Weight  
Dimensions (WxHxD)  
Power supply (Standard)  
Recommended fuse protection (Standard)  
Max. power consumption at 400 V (incl. blower)  
Interlocks:

**Features:**  
High signal to noise ratio of > 90 dB  
Field supply integrated  
Mains switch and integrated line filter  
ESD-monitoring  
(Protection of the system against damage)  
Field voltage/Field current variable according to customer spec.

45000 VA  
DC - 4 kHz  
150 V  
300 A  
1 Ohm  
2.5/5/10 V  
< 0.7 %  
> 90 dB  
140 V  
8 A  
515 kg  
600 x 2200 x 800 mm  
3~ / N / PE 400 V ± 5% 50 Hz, CEE 63  
63 A slow  
38 kVA  
Overload, temperature, clipping and more

Noise-button  
Input voltage analyzer  
Voltage clipping limiter to avoid clipping  
3 Sigma peak current  
Electronic zero-point-regulation (TMC)

## TECHNICAL PARAMETERS Cooling blower TB 120

Volume flow rate  
Total pressure difference  
Power  
Frequency  
Hose diameter  
Hose length (Std.)  
Weight  
Dimensions (WxHxD)  
Sound pressure level, max.  
Power supply (standard)  
Max. power consumption at 400 V

**Options:**  
Silencer TB 120-SI (Noise reduction 3 - 6 dB(A))  
Dimensions (LxD): 1100 x 160 mm  
Weight: 1.2 kg  
Acoustic enclosure TB 120-AE (Noise reduction 5 - 23 dB(A))  
Dimensions (WxHxD): 1094 x 1086 x 1000 mm  
Weight: 134 kg  
Hose length according to customers request (up to 10 m)



Cooling blower TB 120



Silencer TB 120-SI  
(optional)



Acoustic enclosure TB 120-AE  
(optional)