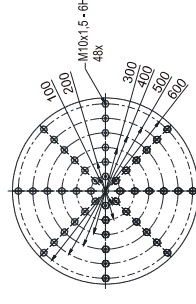
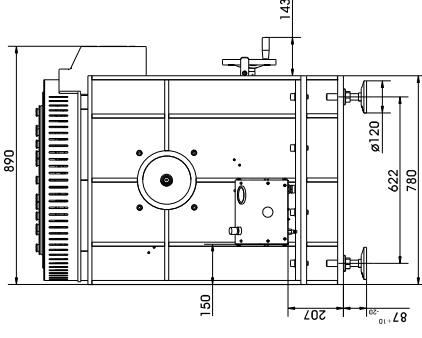
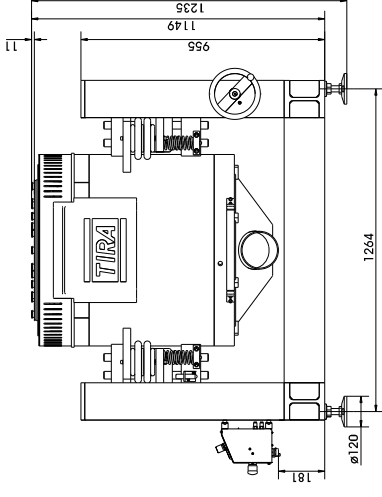


TECHNICAL PARAMETERS Vibration exciter S 59335/*-640

Rated peak force $S_{pk}/Random/ Shock_{pk}^1$	35000/32000/105000 N
Frequency range	5 - 2000 Hz
Main resonance frequency	2000 Hz
Max. displacement Peak-Peak	50.8 mm
Max. velocity Sine/Random/Shock	2.0/1.8/2.5 m/s
Max. acceleration Sine/Random/Shock ¹	70/63/160 g
Suspension stiffness	200 N/mm
Effective moving mass	40.5 kg
Max. weight tested	610 kg
Weight with trunnion RIT/AIT/LB*	2350/2700/2250 kg
Magn. stray field std./low degaussing	<2/<1 mT
Armature diameter	640 mm
Required compressed air supply (load-dependent)	600-1000 kPa
Interlocks	Temperature, displacement, cooling air, overcurrent, compressed air

1) theoretical maximum shock value. Depends on payload, amplifier, shock and shock width
* RIT, AIT or LB



Armature 640 (Standard)

SCOPE OF DELIVERY, OPTIONS AND FEATURES OF THE SYSTEM

Scope of delivery:	Options:
Vibration exciter 35 kN	AIT-trunnion mount
Trunnion mount (AIT, RIT or LB)	with integrated vibration isolation
Power amplifier 57 kVA	RIT-trunnion mount
Cooling blower	LB-frame
Frequency converter	Low degaussing kit to further reduce stray magnetic field
Connection cables (each 10 m)	Wheel&Rails (incl. 3m rails)
Power cables (10 m)	Thermobarrier (-40°C to +140°C)
for amplifier (CEE 63 connector) and cooling blower (CEE 32 connector)	Chamber leadthrough
Blower hose ø150 mm (5 m)	Climatic chamber support kit
Compressed-air hose NW 7,2 (Standard) (5 m)	Remote control (Software)
	Silencer
	for cooling blower (Noise reduction 9 - 15 dB(A))
Options:	Acoustic enclosure
Different hole pattern of armature (different pitch diameter and/or thread inserts) at customers request	for cooling blower (Noise reduction 5 - 23 dB(A))
	Water-cooled acoustic enclosure
	for cooling blower (Noise reduction 30 dB(A))
	Cable extension
	Factory acceptance test

Features:
 Vibration isolation < 3 Hz (AIT)
 < 6 Hz (RIT;LB)
 Coarse filter unit
 Fully automatic pneumatic load compensation
 AIT fixable
 Automatic centering of the AIT-System and the armature
 Degauss kit to reduce stray magnetic field
 Integrated mains switch and line filter
 Integrated field power supply
 Energy-saving mode
 Noise-button
 Input voltage analyzer
 Voltage clipping limiter to avoid clipping
 3 Sigma peak current
 Made in Germany
 Servicehotline

TECHNICAL PARAMETERS Amplifier A 3 08 3 057

Output power _{rms}
 Frequency range
 Voltage _{rms} max.
 Current _{rms} max.
 Load resistance, opt.
 Signal input voltage _{rms} (switchable)
 Distortion
 Signal to noise ratio
 Field voltage, max.
 Field current, max.
 Weight
 Dimensions (WxHxD)
 Power supply (Standard)
 Recommended fuse protection (Standard)
 Max. power consumption at 400 V
 Interlocks:

57000 VA
 DC - 4 kHz
 150 V
 375 A
 1 Ohm
 2.5/5/10 V
 < 0.7 %
 > 90 dB
 105 V
 75 A
 640 kg
 600 x 2200 x 800 mm
 3~ / N / PE 400 V ±5% 50 Hz, CEE 63
 63 A slow
 38 kVA
 Overload, temperature, clipping
 and more

Features:
 High signal to noise ratio of > 90 dB
 Field supply integrated
 Mains switch and integrated line filter
 ESD-monitoring
 (Protection of the system against damage)
 Field voltage/field current variable
 according to customer spec.

Lo-Field/Hi-Field button (Energy-saving mode)
 Noise-button
 Input voltage analyzer
 Voltage clipping limiter to avoid
 clipping
 3 Sigma peak current

TECHNICAL PARAMETERS Cooling blower TB 7/FU/11

Volume flow rate
 Total pressure difference
 Power
 Frequency
 Hose diameter
 Hose length (Std.)
 Weight
 Dimensions (WxHxD)
 Sound pressure level, max.
 Frequency converter (fixation to wall):
 Weight
 Dimensions (WxHxD)
 Power supply (variable)
 Recommended fuse protection (Standard)
 Max. power consumption at 400 V

max. 1920 m³/h
 max. 10.2 - 10.6 kPa
 11 kW
 105 Hz
 150 mm
 5 m
 157 kg
 625 x 700 x 537 mm
 102 dB(A)

30 kg
 380 x 600 x 350 mm
 3~ / PE 400 V ±5% 50 Hz, CEE 32
 35 A slow
 17.5 kVA

Options:
 Silencer TB 7FU-SI (Noise reduction 9 - 15 dB(A))
 Dimensions (LxD): 1120 x 280 mm
 Weight: 9.2 kg
 Acoustic enclosure TB 7FU-AE (Noise reduction 5 - 23 dB(A))
 Dimensions (WxHxD): 1130 x 1630 x 1630 mm
 Weight: 103 kg
 Water-cooled acoustic enclosure WWT (Noise reduction 30 dB(A))
 Dimensions (WxHxD): 1500 x 2080 x 1200 mm
 Weight: 800 kg
 Hose length according to customers request (up to 10 m)



Frequency converter (enclosure)



Cooling blower TB 7/FU/11



Silencer TB 7FU-SI
(optional)



Acoustic enclosure TB 7FU-AE
(optional)