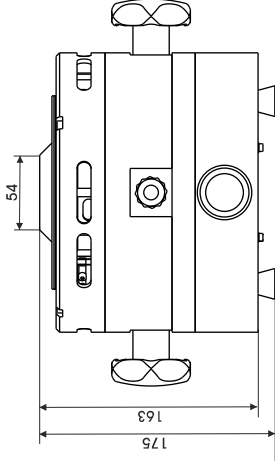


**TECHNICAL PARAMETERS** Vibration exciter S 51140-C



- Rated peak force  $Sine_{pk}/Random_{RMS}$  400/200 N
- Frequency range 40-20000 Hz
- Main resonance frequency > 19000 Hz
- Max. displacement Peak-Peak 4 mm
- Max. velocity Sine/Random 1.2/1.2 m/s
- Max. acceleration Sine/Random 68/34 g
- Effective moving mass 0.6 kg
- Weight 21 kg
- Armature diameter 54 mm

**SCOPE OF DELIVERY, OPTIONS AND FEATURES OF THE SYSTEM**

Scope of delivery:

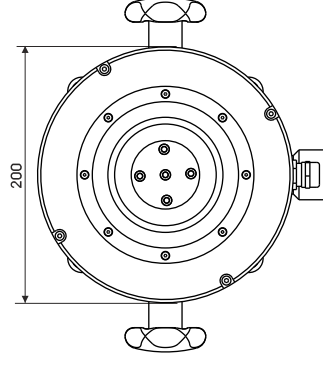
- Vibration exciter 400 N
- Swivel frame
- Power amplifier 1200 VA
- Cooling blower
- Connection cable (5 m)
- Power cable amplifier (1.5 m)
- Blower hose  $\varnothing 40$  mm (3 m)

Options:

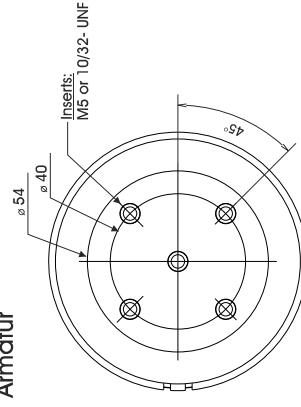
- Rack for mounting the amplifier
- Remote control (Hardware)
- Silencer for cooling blower (Noise reduction up to 5 dB(A))
- Acoustic enclosure for cooling blower (Noise reduction 15 - 23 dB(A))
- Cable extension
- Factory acceptance test

Features:

- Vibration isolation
- Coarse filter unit
- Automatic centering of the armature
- High cross-axial stiffness
- Vibration system made of ceramic material
- Minimum maintenance effort
- Made in Germany
- Servicehotline



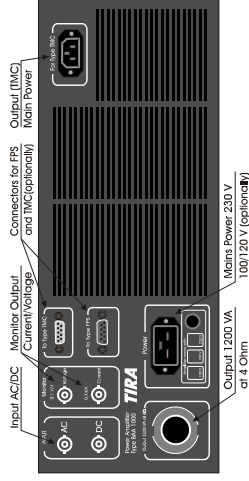
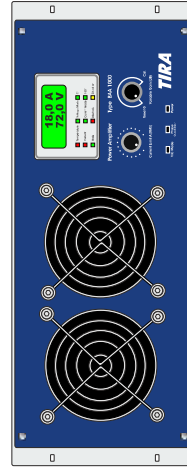
Armatur



## TECHNICAL PARAMETERS Amplifier BAA 1000

Output power<sub>RMS</sub> 1200 VA  
 Frequency range 2 Hz - 20 kHz  
 Voltage<sub>RMS</sub>, max. 72 V  
 Current<sub>RMS</sub>, max. 18 A  
 Load resistance, opt. 4 Ohm  
 Signal input voltage<sub>RMS</sub> < 5 V  
 Distortion < 0.1 %  
 Signal to noise ratio > 90 dB  
 Weight 45 kg  
 Dimensions (WxHxD) 483 x 190 x 600 mm  
 Power supply (Standard) 1 ~ / N / PE 230 V ± 5% 50 Hz, CEE 7/7  
 Recommended fuse protection at 230 V 16 A slow  
 Max. power consumption at 230 V 1.22 kVA  
 Interlocks: Overload, temperature, clipping and more

Features:  
 High Signal to noise ratio of > 90 dB



## TECHNICAL PARAMETERS Cooling blower TB 0140

Volume flow rate max. 140 m<sup>3</sup>/h  
 Total pressure difference max. 120 mbar  
 Power 1.1 kW  
 Frequency 50 Hz  
 Hose diameter 50 mm  
 Hose length (Std.) 5 m  
 Weight 16 kg  
 Dimensions (WxHxD) 286 x 302 x 292 mm  
 Sound pressure level, max. max. 63 dB(A)  
 Power supply (Standard) 1 ~ / N / PE 230 V ± 5% 50 Hz, CEE 7/7  
 Max. power consumption at 400 V 1.4 kVA

Options:

Silencer (Noise reduction up to 8 dB(A))  
 Dimensions (LxD): 308 x 82 mm  
 Weight: 0.2 kg  
 Acoustic enclosure (Noise reduction 15 - 23 dB(A))  
 Dimensions (WxHxD): 795 x 841 x 699 mm  
 Weight: 45 kg  
 Hose length according to customers request (up to 10 m)



Cooling blower TB 0140



Silencer TB 0140-SI (optional)



Acoustic enclosure TB 0140-AE (optional)