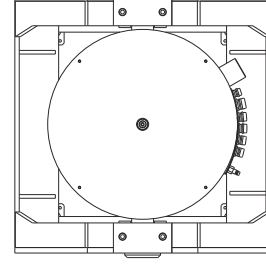
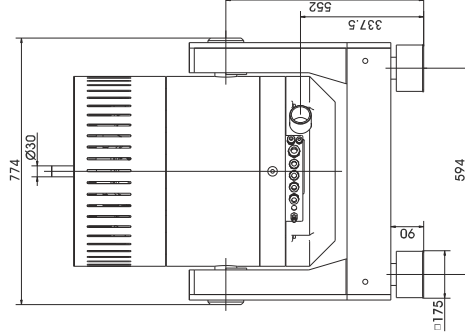
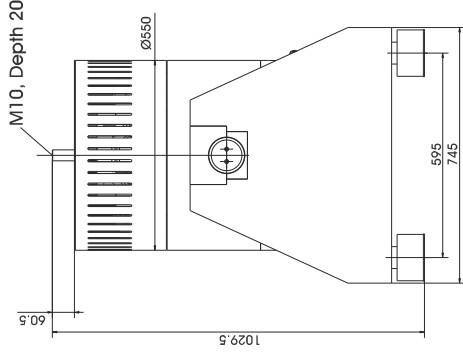
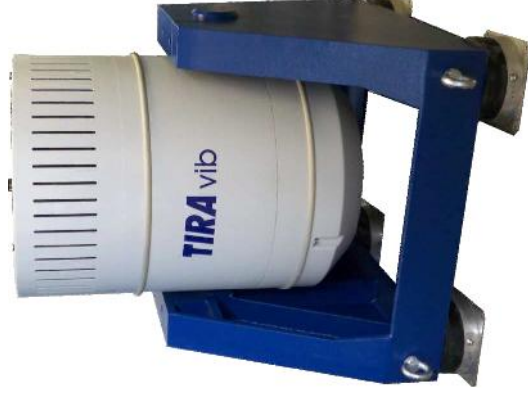


TECHNICAL PARAMETERS Modal exciter S 56280-M/LSS

| | |
|---|---|
| Rated peak force $S_{pk}/Random_{RMS}$ | 8000/6000 N |
| Frequency range | 5-2000 Hz |
| Main resonance frequency (free-swinging) | >2500 Hz |
| Max. displacement Peak-Peak ¹⁾ | 100 mm |
| Max. velocity Sine/Random | 2.0/2.0 m/s |
| Suspension stiffness | electronically adjustable |
| Effective moving mass | 12.0 kg |
| Weight | 850 kg |
| Magn. stray field Std./low degaussing | <1.5/<0.8 mT |
| Coupling thread | M10 |
| Interlocks | Temperature, displacement, cooling air, overcurrent |

1) only with foundation mounting



SCOPE OF DELIVERY, OPTIONS AND FEATURES OF THE SYSTEM

Scope of delivery:

- Modal exciter 8 kN
- Swivel frame
- Power amplifier 22.5 kVA
- Cooling blower
- Connection cables (each 5 m)
- Power cables (5 m) for amplifier (CEE 32 connector)
- Blower hose ø100 mm (5 m)

Options:

- Low degaussing kit to further reduce stray magnetic field
- Wheels&Rails (incl. 3m rails)
- Squeak&Rattle (Silent operation without blower)
- Remote control (Software)
- Silencer for cooling blower (Noise reduction 3 - 6 dB(A))
- Acoustic enclosure for cooling blower (Noise reduction 5 - 23 dB(A))
- Cable extension
- Factory acceptance test

Features:

- Vibration isolation < 6 Hz
- Coarse filter unit
- Fully automatic electronic load compensation
- Electronic zero point regulation with adjustable stiffness
- Automatic centering of the armature
- Degauss kit to reduce stray magnetic field
- Integrated mains switch and line filter
- Integrated field power supply
- Noise-button
- Input voltage analyzer
- Voltage clipping limiter to avoid clipping
- 3 Sigma Peak current
- Made in Germany
- Servicehotline

TECHNICAL PARAMETERS Amplifier A 1 02 3 023 T

Output power_{RMS}
 Frequency range
 Voltage_{RMS}, max.
 Current_{RMS}, max.
 Load resistance, opt.
 Signal input voltage_{RMS} (switchable)
 Distortion
 Signal to noise ratio
 Field voltage, max.
 Field current, max.
 Weight
 Dimensions (WxHxD)
 Power supply (Standard)
 Recommended fuse protection (Standard)
 Max. power consumption at 400 V (incl. blower)
 Interlocks:

Features:
 High signal to noise ratio of > 90 dB
 Field supply integrated
 Mains switch and integrated line filter
 ESD-monitoring
 (Protection of the system against damage)
 Field voltage/Field current variable
 according to customer spec.

22500 VA
 DC - 4 kHz
 150 V
 150 A
 1 Ohm
 2.5/5/10 V
 < 0.7 %
 > 90 dB
 280 V
 6 A
 330 kg
 600 x 1800 x 800 mm
 3~ / N / PE 400 V ± 5% 50 Hz, CEE 32
 32 A slow
 16 kVA
 Overload, temperature, clipping
 and more

Noise-button
 Input voltage analyzer
 Voltage clipping limiter to avoid
 clipping
 3 Sigma peak current
 Electronic zero-point-regulation (TMC)

TECHNICAL PARAMETERS Cooling blower TB 9

Volume flow rate
 Total pressure difference
 Power
 Frequency
 Hose diameter
 Hose length (Std.)
 Weight
 Dimensions (WxHxD)
 Sound pressure level, max.
 Power supply (standard)
 Max. power consumption at 400 V

Options:
 Silencer TB 9-SI (Noise reduction 3 - 6 dB(A))
 Dimensions (LxD): 1012 x 150 mm
 Weight: 1.2 kg
 Acoustic enclosure TB 9-AE (Noise reduction 5 - 23 dB(A))
 Dimensions (WxHxD): 1094 x 1086 x 1000 mm
 Weight: 134 kg
 Hose length according to customers request (up to 10 m)



Cooling blower TB 9



Silencer TB 9-SI
(optional)



Acoustic enclosure TB 9-AE
(optional)