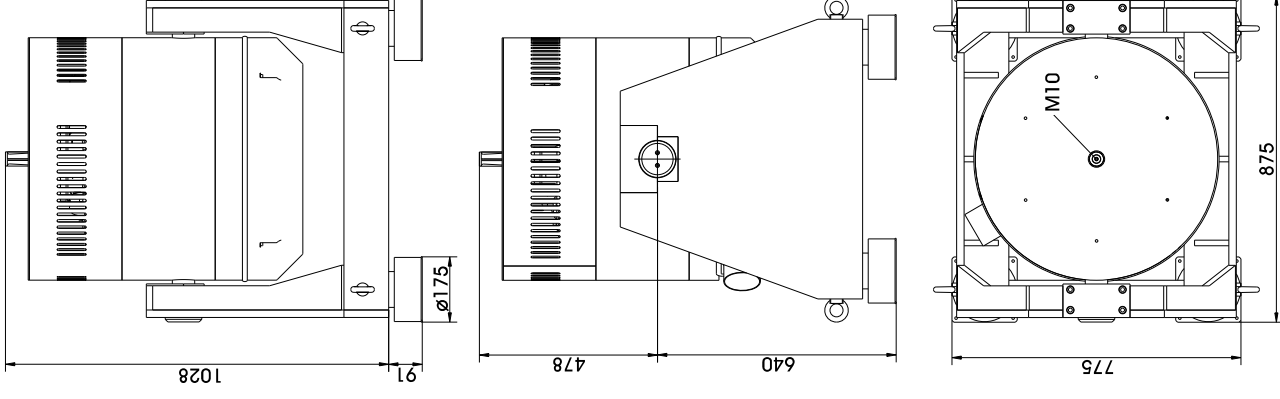


TECHNICAL PARAMETERS Modal exciter S 57315-M/LSS

Rated peak force $S_{pk}/Random_{rms}$	15000/11000 N
Frequency range	5-2000 Hz
Main resonance frequency (free-swinging)	>2500 Hz
Max. displacement Peak-Peak ¹⁾	100 mm
Max. velocity Sine/Random	2.0/2.0 m/s
Suspension stiffness	electronically adjustable
Effective moving mass	18.0 kg
Weight	1200 kg
Magn. stray field Std./low degaussing	<1.5/<0.8 mT
Coupling thread	M10
Interlocks	Temperature, displacement, cooling air, overcurrent

¹⁾ only with foundation mounting



SCOPE OF DELIVERY, OPTIONS AND FEATURES OF THE SYSTEM

Scope of delivery:

- Modal exciter 15 kN
- Swivel frame
- Power amplifier 45 kVA
- Cooling blower
- Connection cables (each 5 m)
- Power cables (5 m) for amplifier (CEE 63 connector)
- Blower hose \varnothing 100 mm (5 m)

Options:

- Low degaussing kit to further reduce stray magnetic field
- Wheels&Rails (incl. 3m rails)
- Squeak&Rattle (Silent operation without blower)
- Remote control (Software)
- Silencer for cooling blower (Noise reduction 3 - 6 dB(A))
- Acoustic enclosure for cooling blower (Noise reduction 5 - 23 dB(A))
- Cable extension
- Factory acceptance test

Features:

- Vibration isolation < 6 Hz
- Coarse filter unit
- Fully automatic electronic load compensation
- Electronic zero point regulation with adjustable stiffness
- Automatic centering of the armature
- Degauss kit to reduce stray magnetic field
- Integrated mains switch and line filter
- Integrated field power supply
- Noise-button
- Input voltage analyzer
- Voltage clipping limiter to avoid clipping
- 3 Sigma Peak current
- Made in Germany
- Servicehotline

TECHNICAL PARAMETERS Amplifier A 3 01 3 045 T

Output power_{RMS}
 Frequency range
 Voltage_{RMS}, max.
 Current_{RMS}, max.
 Load resistance, opt.
 Signal input voltage_{RMS} (switchable)
 Distortion
 Signal to noise ratio
 Field voltage, max.
 Field current, max.
 Weight
 Dimensions (WxHxD)
 Power supply (Standard)
 Recommended fuse protection (Standard)
 Max. power consumption at 400 V (incl. blower)
 Interlocks:

Features:
 High signal to noise ratio of > 90 dB
 Field supply integrated
 Mains switch and integrated line filter
 ESD-monitoring
 (Protection of the system against damage)
 Field voltage/Field current variable
 according to customer spec.

45000 VA
 DC - 4 kHz
 150 V
 300 A
 1 Ohm
 2.5/5/10 V
 < 0.7 %
 > 90 dB
 140 V
 8 A
 515 kg
 600 x 2200 x 800 mm
 3~ / N / PE 400 V ± 5% 50 Hz, CEE 63
 63 A slow
 28.2 kVA
 Overload, temperature, clipping
 and more

Noise-button
 Input voltage analyzer
 Voltage clipping limiter to avoid
 clipping
 3 Sigma peak current
 Electronic zero-point-regulation (TMC)

TECHNICAL PARAMETERS Cooling blower TB 120

Volume flow rate
 Total pressure difference
 Power
 Frequency
 Hose diameter
 Hose length (Std.)
 Weight
 Dimensions (WxHxD)
 Sound pressure level, max.
 Power supply (standard)
 Max. power consumption at 400 V

Options:
 Silencer TB 120-SI (Noise reduction 3 - 6 dB(A))
 Dimensions (LxD): 1100 x 160 mm
 Weight: 1.2 kg
 Acoustic enclosure TB 120-AE (Noise reduction 5 - 23 dB(A))
 Dimensions (WxHxD): 1094 x 1086 x 1000 mm
 Weight: 134 kg
 Hose length according to customers request (up to 10 m)



Cooling blower TB 120



Silencer TB 120-SI
(optional)



Acoustic enclosure TB 120-AE
(optional)