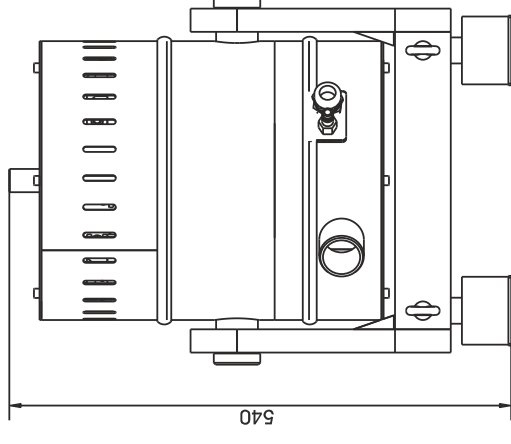


TECHNICAL PARAMETERS Modal exciter S 5220-M

Rated peak force $S_{pk}/Random_{RMS}$	1000/650 N
Frequency range	5-5000 Hz
Main resonance frequency (free-swinging)	>3000 Hz
Max. displacement Peak-Peak	50.8 mm
Max. velocity Sine/Random	1.5/1.5 m/s
Suspension stiffness	electronically adjustable
Effective moving mass	1.3 kg
Weight	122 kg
Magn. stray field without/with degaussing	<8.5/<1 mT
Coupling thread	M8
Interlocks	Temperature, displacement, cooling air, overcurrent



SCOPE OF DELIVERY, OPTIONS AND FEATURES OF THE SYSTEM

Scope of delivery:

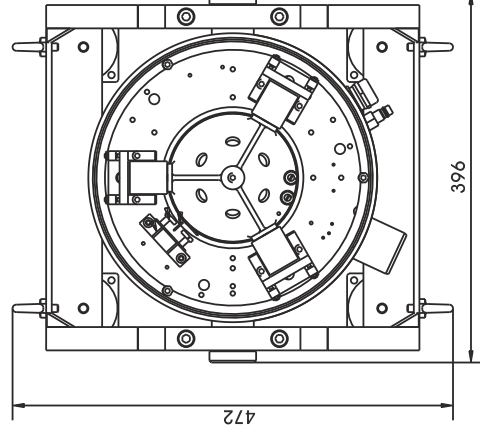
- Modal exciter 1000 N
- Swivel frame
- Power amplifier 1200 VA
- Field power supply (FPS)
- Electronic zero point regulation (Tira Middle Control = TMC)
- Cooling blower
- Connection cables (each 5 m)
- Power cables (each 1.5 m) for amplifier and FPS (CEE 7/7 connector)
- Blower hose $\varnothing 50$ mm (5 m)

Options:

- Degauss kit to reduce stray magnetic field
- Squeak&Rattle (Silent operation without blower)
- 19" Rack for integrating of amplifier/FPS
- Remote control (Hardware)
- Silencer for cooling blower (Noise reduction up to 8 dB(A))
- Acoustic enclosure for cooling blower (Noise reduction 15 - 23 dB(A))
- Cable extension
- Factory acceptance test

Features:

- Vibration isolation < 6 Hz
- Coarse filter unit
- Fully automatic electronic load compensation
- Electronic zero point regulation with adjustable stiffness
- Automatic centering of the armature
- High cross-axial stiffness
- Minimum maintenance effort
- Made in Germany
- Servicehotline

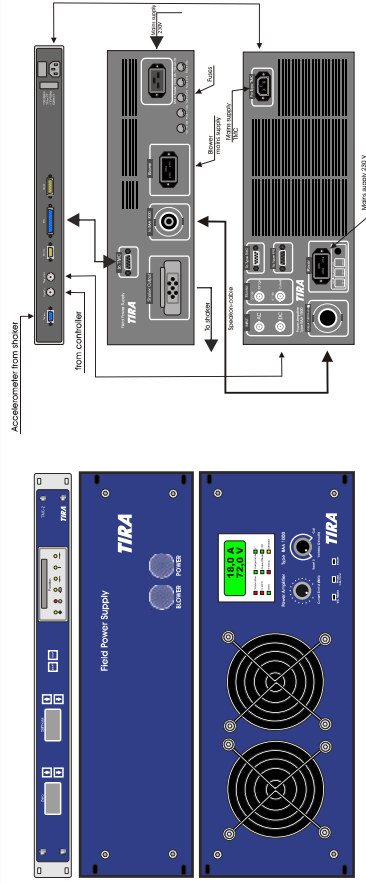


TECHNICAL PARAMETERS Amplifier BAA 1000-ET

Output power_{RMS} 1200 VA
 Frequency range 2 Hz - 20 kHz
 Voltage_{RMS}, max. 72 V
 Current_{RMS}, max. 18 A
 Load resistance, opt. 4 Ohm
 Signal input voltage_{RMS} < 5 V
 Distortion < 0.1 %
 Signal to noise ratio > 90 dB
 Field power supply (FPS) yes (external)
 Field voltage, max. 70 V
 Field current, max. 3.2 A
 Weight (Amplifier+FPS+TMC) 76 kg
 Dimensions (Amplifier+FPS+TMC, WxHxD) 483 x 400 x 600 mm
 Power supply (Standard) 1 ~ / N / PE 230 V ± 5% 50 Hz
 CEE 7/7
 Recommended fuse protection (Standard) 16 A slow
 Max. power consumption at 230 V (Amplifier+TMC) 2.1 kVA
 Max. power consumption at 230 V (FPS+blower) 2.4 kVA
 Interlocks: Overload, temperature, clipping and more

Features:

High Signal to noise ratio of > 90 dB



TECHNICAL PARAMETERS Cooling blower TB 0140

Volume flow rate max. 140 m³/h
 Total pressure difference max. 120 mbar
 Power 1.1 kW
 Frequency 50 Hz
 Hose diameter 50 mm
 Hose length (Std.) 5 m
 Weight 16 kg
 Dimensions (WxHxD) 286 x 302 x 292 mm
 Sound pressure level, max. max. 63 dB(A)
 Power supply (standard) by Field power supply (FPS)
 Max. power consumption at 400 V 1.4 kVA

Options:

Silencer (Noise reduction up to 8 dB(A))
 Dimensions (LxD): 308 x 82 mm
 Weight: 0.2 kg
 Acoustic enclosure (Noise reduction 15 - 23 dB(A))
 Dimensions (WxHxD): 795 x 841 x 699 mm
 Weight: 45 kg
 Hose length according to customers request (up to 10 m)



Cooling blower TB 0140

Silencer TB 0140-SI (optional)

Acoustic enclosure TB 0140-AE (optional)