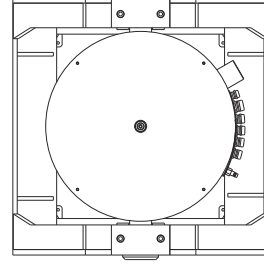
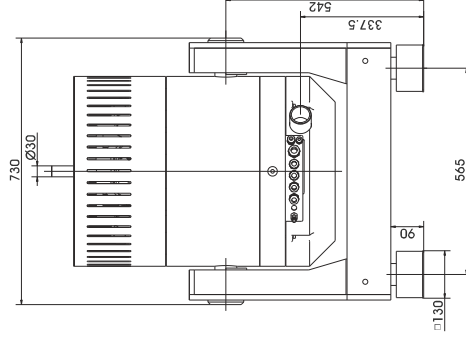
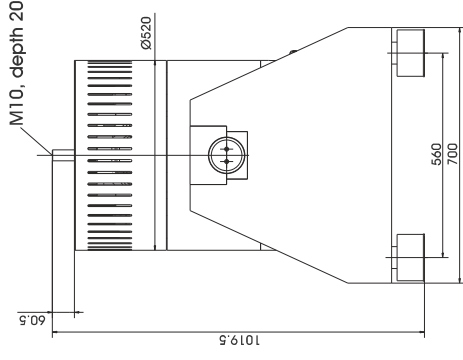


TECHNICAL PARAMETERS Modal exciter S 55240-M/LSS

Rated peak force $S_{pk}/Random_{RMS}$	4000/3400 N
Frequency range	5-2000 Hz
Main resonance frequency (free-swinging)	>2500 Hz
Max. displacement Peak-Peak ¹⁾	100 mm
Max. velocity Sine/Random	2.0/2.0 m/s
Suspension stiffness	electronically adjustable
Effective moving mass	11.0 kg
Weight	800 kg
Magn. stray field Std./low degaussing	<1.5/<0.8 mT
Coupling thread	M10
Interlocks	Temperature, displacement, cooling air, overcurrent

1) only with foundation mounting



SCOPE OF DELIVERY, OPTIONS AND FEATURES OF THE SYSTEM

Scope of delivery:	Options:	Features:
Modal exciter 4 kN	Low degaussing kit	Vibration isolation < 6 Hz
Swivel frame	to further reduce stray magnetic field	Coarse filter unit
Power amplifier 22.5 kVA	Wheels&Rails (incl. 3m rails)	Fully automatic electronic load compensation
Cooling blower	Squeak&Rattle (Silent operation without blower)	Electronic zero point regulation with adjustable stiffness
Power cables (each 5 m)	Remote control (Software)	Automatic centering of the armature
for amplifier (CEE 32 connector)	Silencer	Degauss kit to reduce stray magnetic field
Blower hose ø60 mm (5 m)	for cooling blower (Noise reduction up to 6 dB(A))	Integrated mains switch and line filter
	Acoustic enclosure	Integrated field power supply
	for cooling blower (Noise reduction 15 - 23 dB(A))	Noise-button
	Cable extension	Input voltage analyzer
	Factory acceptance test	Voltage clipping limiter to avoid clipping
		3 Sigma Peak current
		Made in Germany
		Servicehotline

TECHNICAL PARAMETERS Amplifier A 1 01 3 023 T

Output power_{RMS}
 Frequency range
 Voltage_{RMS}, max.
 Current_{RMS}, max.
 Load resistance, opt.
 Signal input voltage_{RMS} (switchable)
 Distortion
 Signal to noise ratio
 Field voltage, max.
 Field current, max.
 Weight
 Dimensions (WxHxD)
 Power supply (Standard)
 Recommended fuse protection (Standard)
 Max. power consumption at 400 V (incl. blower)
 Interlocks:

Features:
 High signal to noise ratio of > 90 dB
 Field supply integrated
 Mains switch and integrated line filter
 ESD-monitoring
 (Protection of the system against damage)
 Field voltage/Field current variable
 according to customer spec.

22500 VA
 DC - 4 kHz
 150 V
 150 A
 1 Ohm
 2.5/5/10 V
 < 0.7 %
 > 90 dB
 140 V
 8 A
 330 kg
 600 x 1800 x 800 mm
 3~ / N / PE 400 V ± 5% 50 Hz, CEE 32
 32 A slow
 7.7 kVA
 Overload, temperature, clipping
 and more

Noise-button
 Input voltage analyzer
 Voltage clipping limiter to avoid
 clipping
 3 Sigma peak current
 Electronic zero-point-regulation (TMC)

TECHNICAL PARAMETERS Cooling blower TB 0310

Volume flow rate
 Total pressure difference
 Power
 Frequency
 Hose diameter
 Hose length (Std.)
 Weight
 Dimensions (WxHxD)
 Sound pressure level, max.
 Power supply (standard)
 Max. power consumption at 400 V

Options:
 Silencer TB 0310-SI (Noise reduction up to 6 dB(A))
 Dimensions (LxD): 308 x 82 mm
 Weight: 0.58 kg
 Acoustic enclosure TB 0310-AE (Noise reduction 15 - 23 dB(A))
 Dimensions (WxHxD): 795 x 841 x 836 mm
 Weight: 55 kg
 Hose length according to customer request (up to 10 m)



Cooling blower TB 0310



Silencer TB 0310-SI
(optional)



Acoustic enclosure TB 0310-AE
(optional)