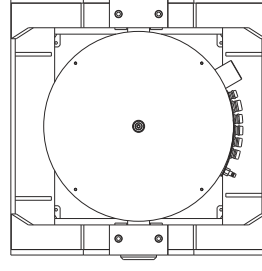
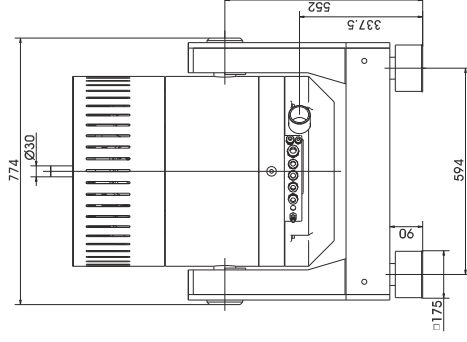
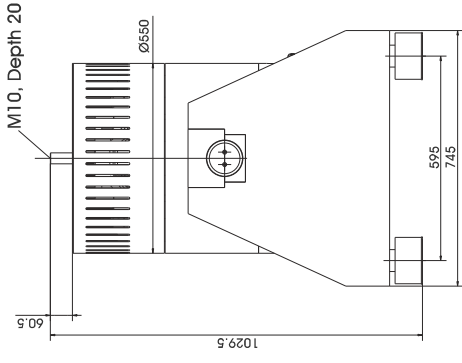


**TECHNICAL PARAMETERS Modal exciter S 56263-M/LSS**

Rated peak force  $S_{pk}/Random_{RMS}$  6300/4300 N  
 Frequency range 5-2000 Hz  
 Main resonance frequency (free-swinging) >2500 Hz  
 Max. displacement Peak-Peak<sup>1)</sup> 100 mm  
 Max. velocity Sine/Random 2.0/2.0 m/s  
 Suspension stiffness electronically adjustable  
 Effective moving mass 12.0 kg  
 Weight 850 kg  
 Magn. stray field Std./low degaussing <1.5/<0.8 mT  
 Coupling thread M10  
 Interlocks Temperature, displacement, cooling air, overcurrent

1) only with foundation mounting



**SCOPE OF DELIVERY, OPTIONS AND FEATURES OF THE SYSTEM**

**Scope of delivery:**

Modal exciter 6.3 kN  
 Swivel frame  
 Power amplifier 22.5 kVA  
 Cooling blower  
 Connection cables (each 5 m)  
 Power cables (5 m)  
 for amplifier (CEE 32 connector)  
 Blower hose ø100 mm (5 m)

**Options:**

Low degaussing kit  
 to further reduce stray magnetic field  
 Wheels&Rails (incl. 3m rails)  
 Squeak&Rattle (Silent operation without blower)  
 Remote control (Software)  
 Silencer  
 for cooling blower (Noise reduction 3 - 6 dB(A))  
 Acoustic enclosure  
 for cooling blower (Noise reduction 5 - 23 dB(A))  
 Cable extension  
 Factory acceptance test

**Features:**

Vibration isolation < 6 Hz  
 Coarse filter unit  
 Fully automatic electronic  
 load compensation  
 Electronic zero point regulation  
 with adjustable stiffness  
 Automatic centering of the armature  
 Degauss kit to reduce stray magnetic field  
 Integrated mains switch and line filter  
 Integrated field power supply  
 Noise-button  
 Input voltage analyzer  
 Voltage clipping limiter to avoid clipping  
 3 Sigma Peak current  
 Made in Germany  
 Servicehotline

## TECHNICAL PARAMETERS Amplifier A 1 02 3 023 T

Output power<sub>RMS</sub>  
 Frequency range  
 Voltage<sub>RMS</sub>, max.  
 Current<sub>RMS</sub>, max.  
 Load resistance, opt.  
 Signal input voltage<sub>RMS</sub> (switchable)  
 Distortion  
 Signal to noise ratio  
 Field voltage, max.  
 Field current, max.  
 Weight  
 Dimensions (WxHxD)  
 Power supply (Standard)  
 Recommended fuse protection (Standard)  
 Max. power consumption at 400 V (incl. blower)  
 Interlocks:

**Features:**  
 High signal to noise ratio of > 90 dB  
 Field supply integrated  
 Mains switch and integrated line filter  
 ESD-monitoring  
 (Protection of the system against damage)  
 Field voltage/Field current variable  
 according to customer spec.

22500 VA  
 DC - 4 kHz  
 150 V  
 150 A  
 1 Ohm  
 2.5/5/10 V  
 < 0.7 %  
 > 90 dB  
 280 V  
 6 A  
 330 kg  
 600 x 1800 x 800 mm  
 3~ / N / PE 400 V ± 5% 50 Hz, CEE 32  
 32 A slow  
 14.6 kVA  
 Overload, temperature, clipping  
 and more

Noise-button  
 Input voltage analyzer  
 Voltage clipping limiter to avoid  
 clipping  
 3 Sigma peak current  
 Electronic zero-point-regulation (TMC)

## TECHNICAL PARAMETERS Cooling blower TB 9

Volume flow rate  
 Total pressure difference  
 Power  
 Frequency  
 Hose diameter  
 Hose length (Std.)  
 Weight  
 Dimensions (WxHxD)  
 Sound pressure level, max.  
 Power supply (standard)  
 Max. power consumption at 400 V

**Options:**  
 Silencer TB 9-SI (Noise reduction 3 - 6 dB(A))  
 Dimensions (LxD): 1012 x 150 mm  
 Weight: 1.2 kg  
 Acoustic enclosure TB 9-AE (Noise reduction 5 - 23 dB(A))  
 Dimensions (WxHxD): 1094 x 1086 x 1000 mm  
 Weight: 134 kg  
 Hose length according to customers request (up to 10 m)



Cooling blower TB 9



Silencer TB 9-SI  
(optional)



Acoustic enclosure TB 9-AE  
(optional)