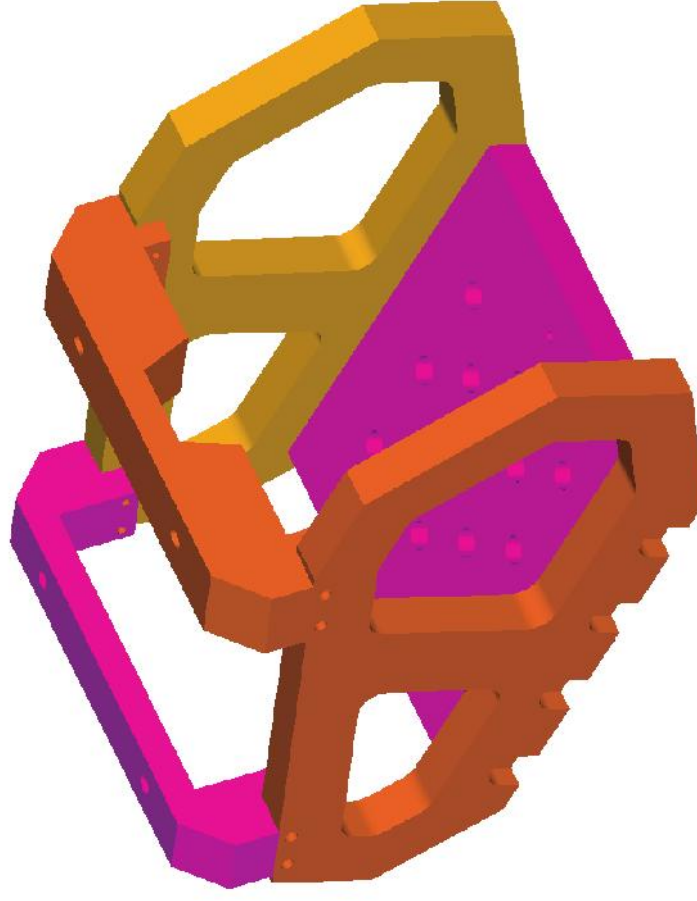
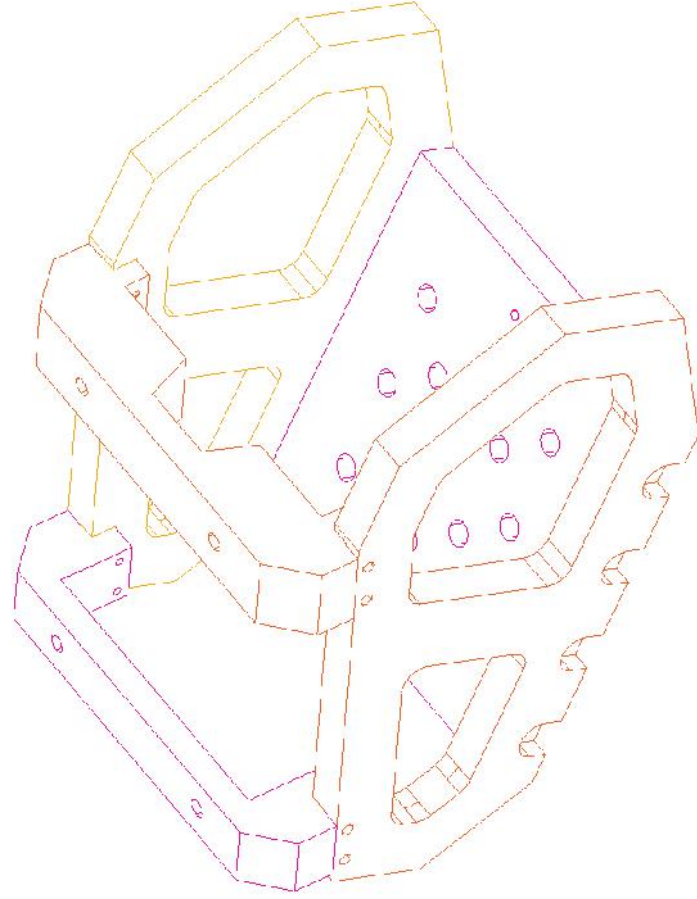
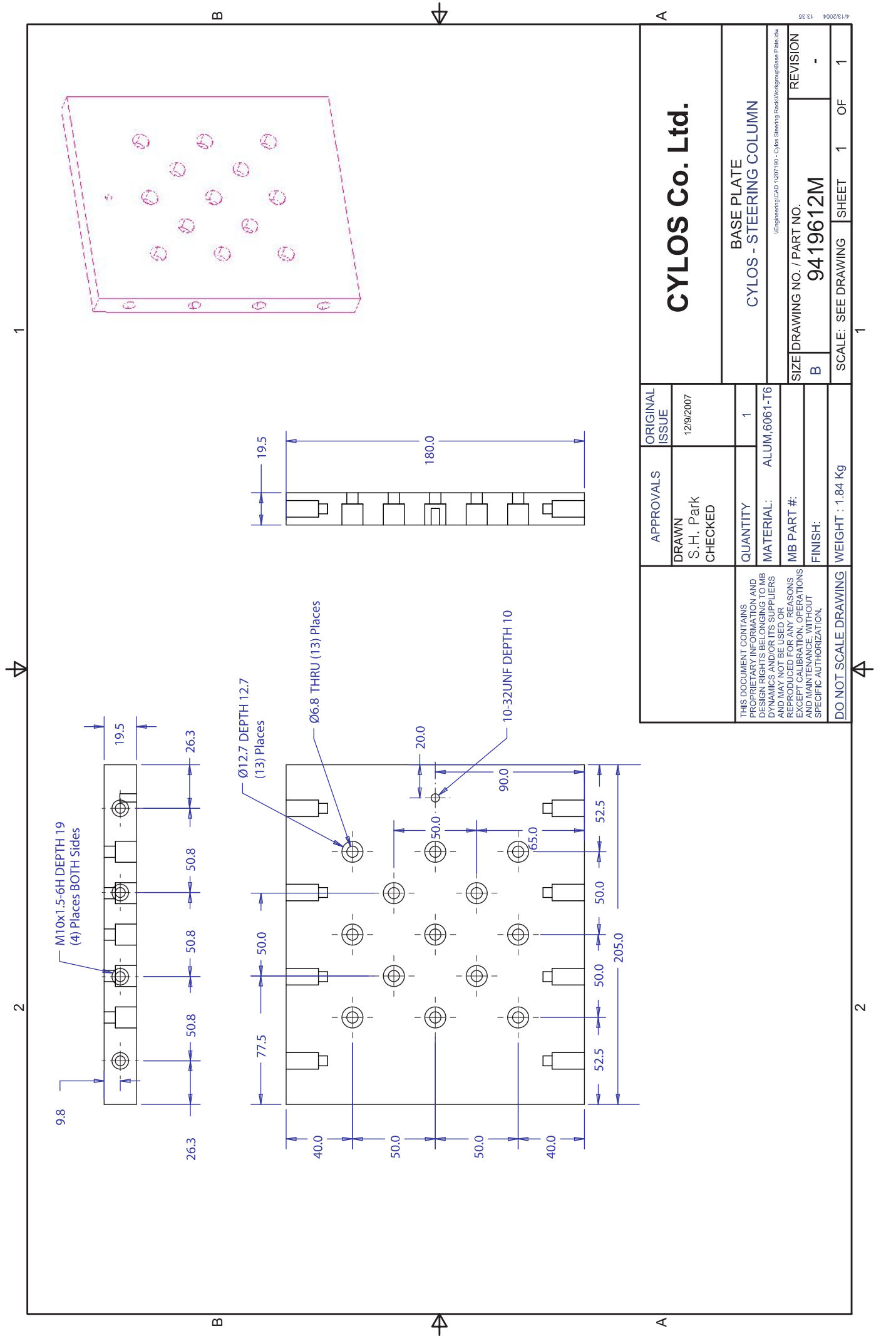


Jig Assembly





1

2

2

2

B

B

1

1

A

A

CYLOS Co. Ltd.

BASE PLATE
CYLOS - STEERING COLUMN

(Engineering)CAD 1307180 - Cylos Steering Rack/Workgroup/Base Plate.dwg

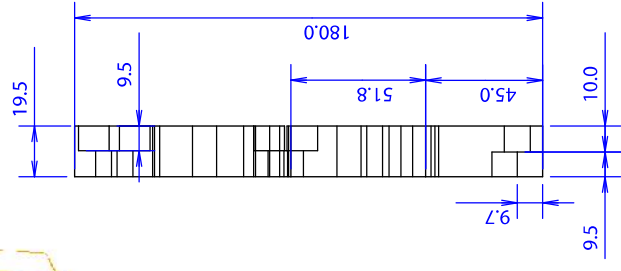
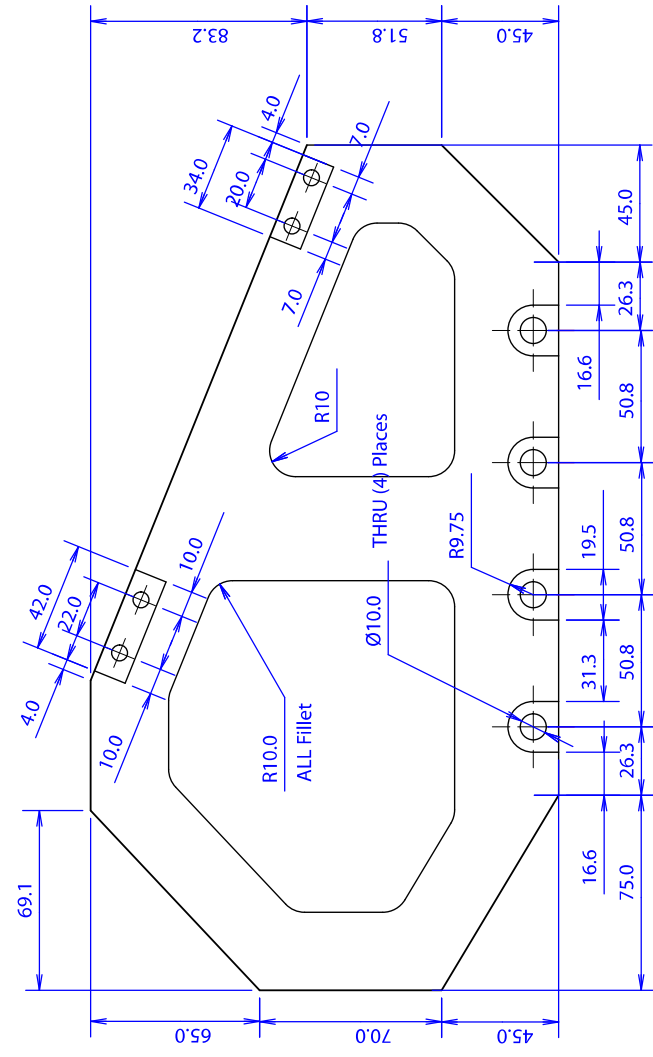
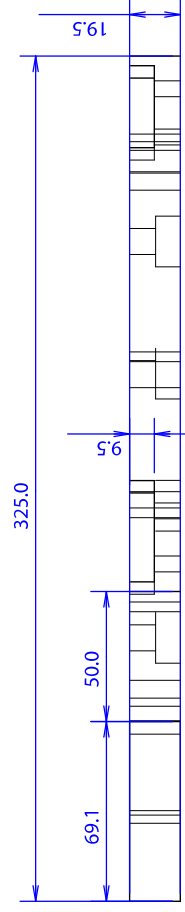
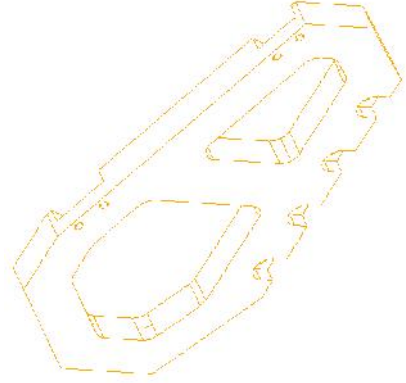
SIZE	DRAWING NO. / PART NO.	REVISION
B	9419612M	-

SCALE: SEE DRAWING SHEET 1 OF 1

APPROVALS	ORIGINAL ISSUE	QUANTITY	1
	DRAWN S.H. Park CHECKED		
MATERIAL: ALUM, 6061-T6		FINISH:	
MB PART #:		WEIGHT : 1.84 Kg	
DO NOT SCALE DRAWING		DO NOT SCALE DRAWING	

1

2



B

A

B

A

THIS DOCUMENT DIMENSIONS ARE SAME AS RIGHT SIDE PLATE DIMENSIONS. NON-INSERTED DIMENSIONS ARE REFER TO RIGHT SIDE PLATE DRAWING	APPROVALS	ORIGINAL ISSUE
	DRAWN S.H. Park CHECKED	12/8/2007
THIS DOCUMENT CONTAINS PROPRIETARY INFORMATION AND DESIGN RIGHTS BELONGING TO MB DYNAMICS AND/OR ITS SUPPLIERS AND MAY NOT BE USED OR REPRODUCED FOR ANY REASONS EXCEPT CALIBRATION, OPERATIONS AND MAINTENANCE, WITHOUT SPECIFIC AUTHORIZATION.	QUANTITY	1
	MATERIAL:	ALUM,6061-T6
	MB PART #:	
	FINISH:	
DO NOT SCALE DRAWING	WEIGHT : 1,39 Kg	

CYLOS Co., Ltd.	
LEFT SIDE PLATE CYLOS - STEERING RACK	
<small>\\Engineering\CAD\1207190 - Cybos Steering Rack\Workgroup\Base Side Plate.dwg</small>	
SIZE	REVISION
B	-
DRAWING NO. / PART NO.	
9419612M_L	
SCALE: SEE DRAWING	SHEET 1 OF 1

1

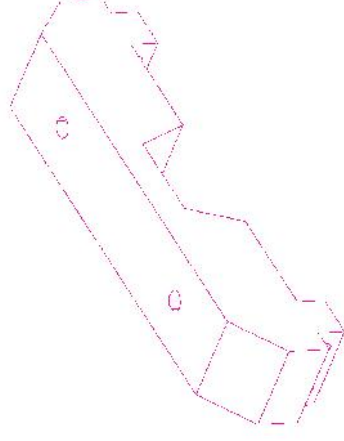
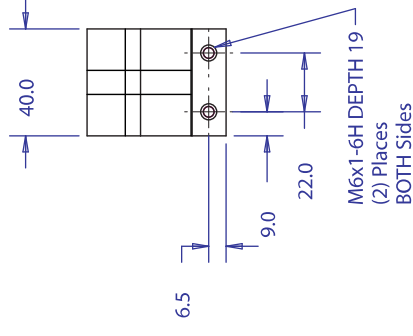
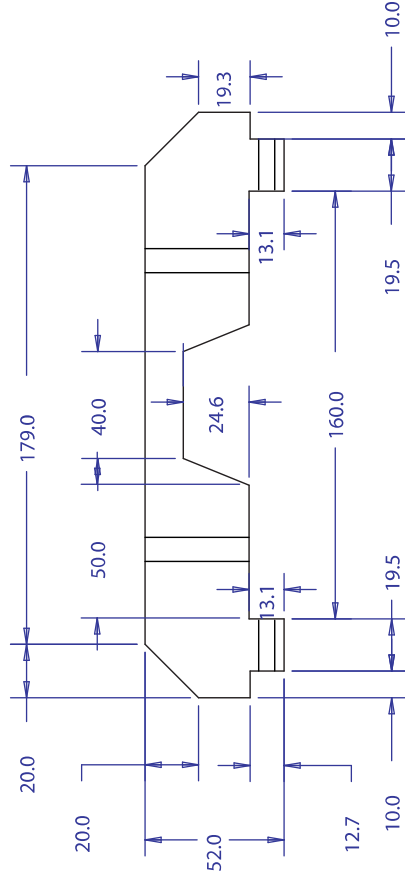
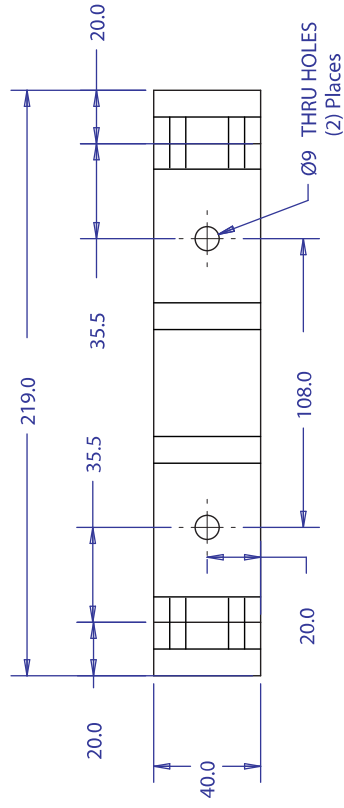
2

B

A

1

2



B

A

B

A

CYLOS Co., Ltd.

FRONT CROSS BAR
CYLOS - STEERING RACK

\\Engineering\CAD\12077910 - Cylos Steering Rack\Kwong\9419615M.dwg

SIZE DRAWING NO. / PART NO. **9419615M**

REVISION

A

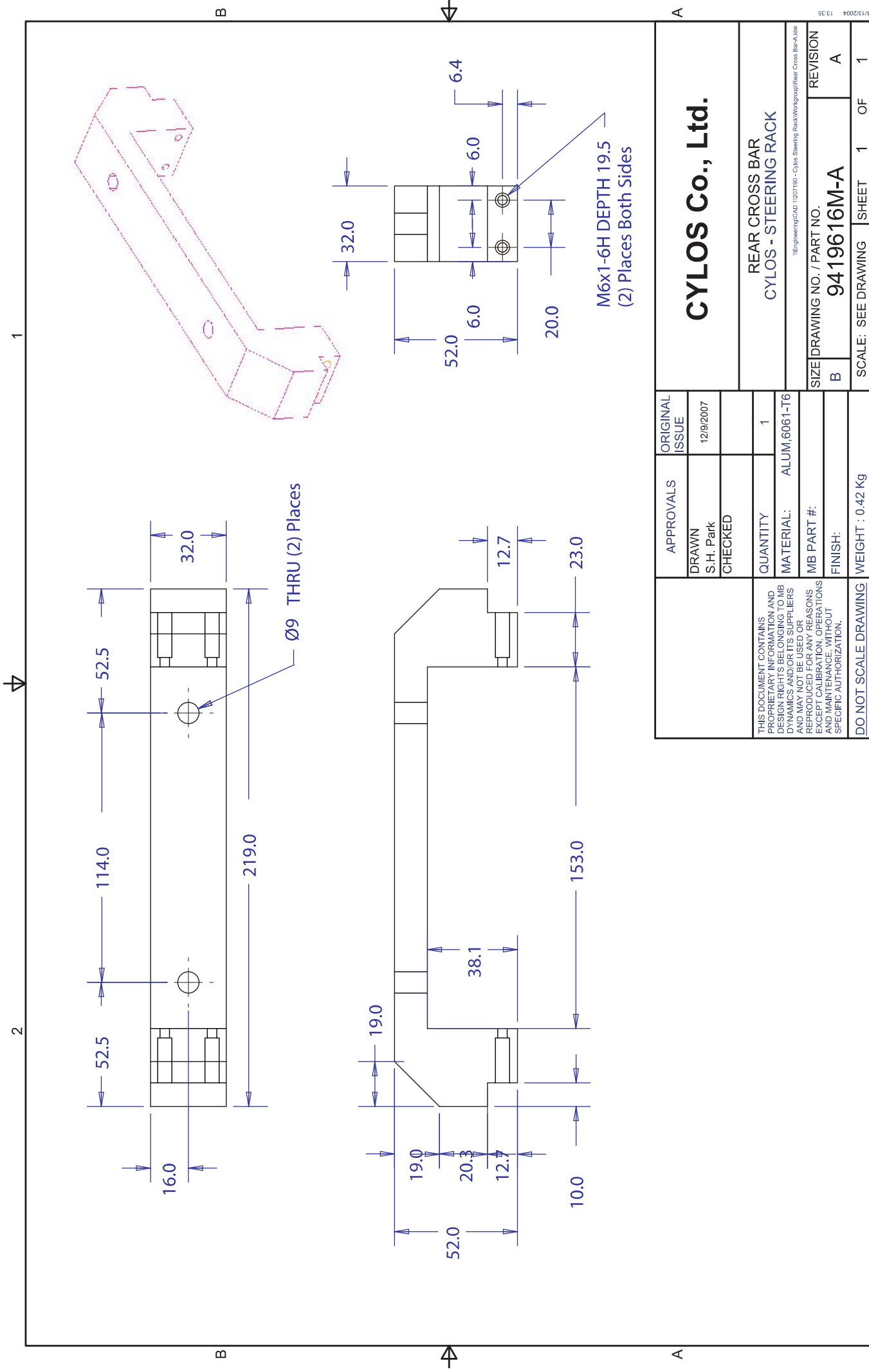
SCALE: SEE DRAWING SHEET 1 OF 1

APPROVALS	ORIGINAL ISSUE	QUANTITY	WEIGHT : 0.78 Kg
DRAWN S.H. Park	12/9/2007	1	
CHECKED			
MATERIAL: ALUM, 6061-T6			
MB PART #:			
FINISH:			
DO NOT SCALE DRAWING			

THIS DOCUMENT CONTAINS PROPRIETARY INFORMATION AND DESIGN RIGHTS BELONGING TO MB DYNAMICS AND/OR ITS SUPPLIERS AND MAY NOT BE USED OR REPRODUCED FOR ANY REASONS EXCEPT CALIBRATION, OPERATIONS AND MAINTENANCE, WITHOUT SPECIFIC AUTHORIZATION.

2

1



CYLOS Co., Ltd.

REAR CROSS BAR
CYLOS - STEERING RACK

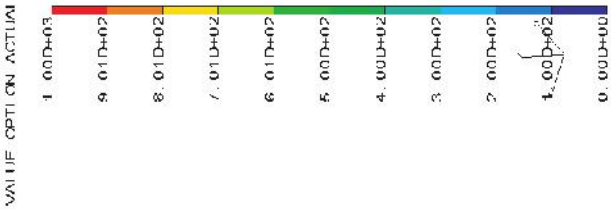
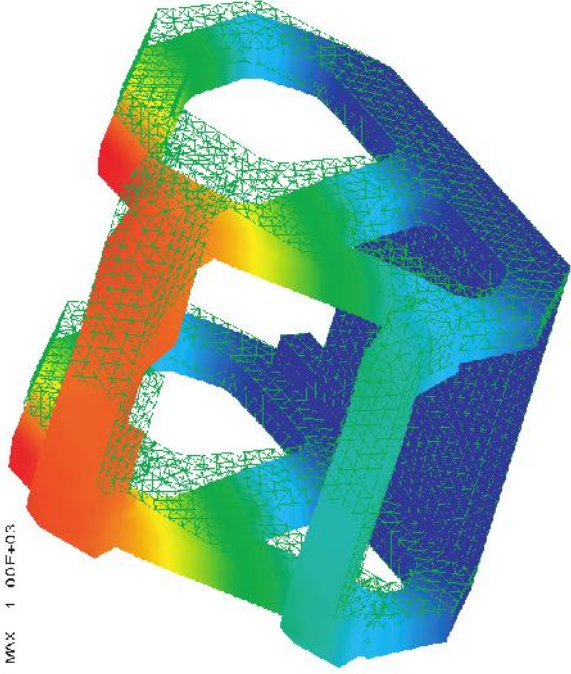
Engineering/CAD: 1/2011/99 - Cylos Steering Rack/Workgroup/Rear Cross Bar-Alt	
SIZE	REVISION
B	A
DRAWING NO. / PART NO.	
9419616M-A	
SCALE: SEE DRAWING	SHEET 1 OF 1

APPROVALS		ORIGINAL ISSUE
DRAWN	S.H. Park	12/9/2007
CHECKED		
QUANTITY		1
MATERIAL:	ALUM, 6061-T6	
MB PART #:		
FINISH:		
WEIGHT : 0.42 Kg		

THIS DOCUMENT CONTAINS PROPRIETARY INFORMATION AND DESIGN RIGHTS BELONGING TO MB DYNAMICS AND/OR ITS SUPPLIERS AND MAY NOT BE USED OR REPRODUCED FOR ANY REASONS EXCEPT CALIBRATION OPERATIONS ON MAIN LINE VEHICLES WITHOUT SPECIFIC AUTHORIZATION.

DO NOT SCALE DRAWING

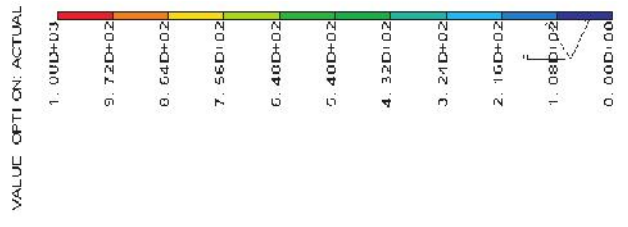
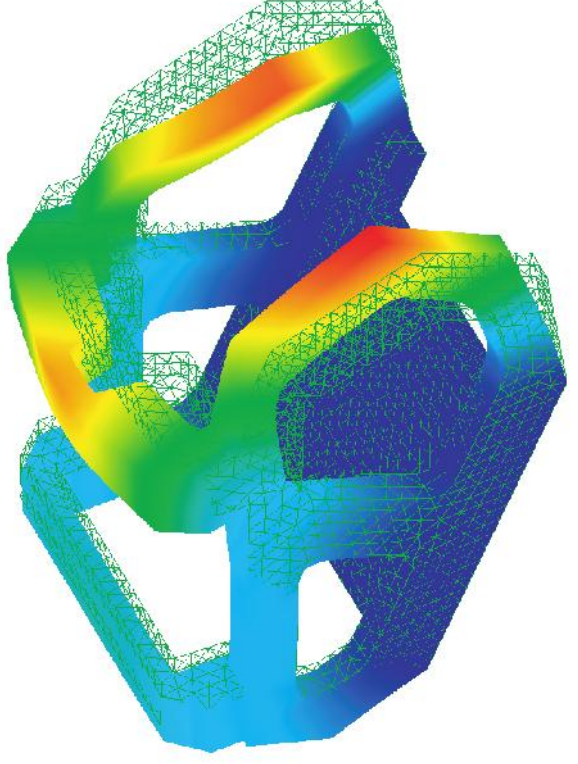
RESULTS: 1- B.C. 1, NORMAL MODE 1, DI SPACEMENT_1
 MODE 1
 DI SPACEMENT - MAG MIN: 0.00E+00 MAX: 1.00E+03
 DEFORMATION: 1- B.C. 1, NORMAL MODE 1, DI SPACEMENT_1
 MODE 1
 DI SPACEMENT - MAG MIN: 0.00E+00 MAX: 1.00E+03
 FRAME OF REF: PART



First Natural Frequency : 616Hz

Side Plate Bending Mode – Same Direction

RESULTS: 2- B.C. 1, NORMAL MODE 2, DI SPACEMENT_2
 MODE 2
 DI SPACEMENT - MAG MIN: 0.00E+00 MAX: 1.00E+03
 DEFORMATION: 2- B.C. 1, NORMAL MODE 2, DI SPACEMENT_2
 MODE 2
 DI SPACEMENT - MAG MIN: 0.00E+00 MAX: 1.00E+03
 FRAME OF REF: PART



Second Natural Frequency : 1041Hz

Side Plate Bending Mode – Opposite Direction