

TECHNICAL PARAMETERS Vibration exciter S 59327/*-440

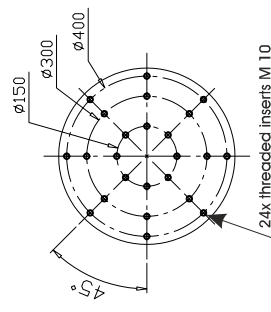
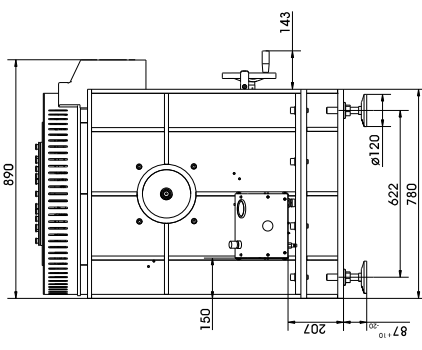
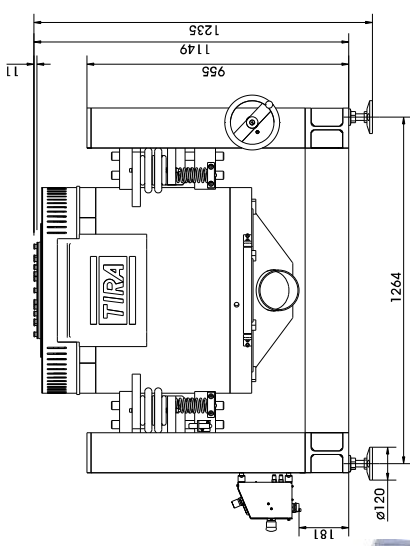
Rated peak force $S_{pk}/Random_{rms}/Shock_{pk}^1$	27000/27000/80000 N
Frequency range	5 - 3000 Hz
Main resonance frequency	> 2400 Hz
Max. displacement	50.8 mm
Max. velocity	2.0/1.8/2.5 m/s
Max. acceleration	79/50/158 g
Suspension stiffness	150 N/mm
Effective moving mass	38.0 kg
Max. weight tested	610 kg
Weight with trunnion RIT/AIT/LB*	2350/2700/2250 kg
Magn. stray field std./low degaussing	<1.5/<0.8 mT
Armature diameter	440 mm
Required compressed air supply (load-dependent)	600-1000 kPa
Interlocks	Temperature, displacement, cooling air, overcurrent, compressed air

1) theoretical maximum shock value. Depends on payload, amplifier, shock and shock width
2) optionally displacement of 76.2 mm (3 inch); impact by moving to static mass and frequency is possible
* RIT, AIT or LB

SCOPE OF DELIVERY, OPTIONS AND FEATURES OF THE SYSTEM

Scope of delivery:	Options:
Vibration exciter 27 kN	3 inch (76.2 mm) displacement
Trunnion mount (AIT, RIT or LB)	AIT-trunnion mount
Power amplifier 45 kVA	with integrated vibration isolation
Cooling blower	RIT-trunnion mount
Frequency converter	LB-frame
Connection cables (each 10 m)	Dual Bearing armature
Power cables (10 m)	Low degaussing kit to further reduce stray magnetic field
for amplifier (CEE 63 connector) and cooling blower (CEE 32 connector)	Airglide-option (Shaker movable on air cushions)
Blower hose ø150 mm (5 m)	Wheels&Rails (incl. 3m rails)
Compressed-air hose NW 7,2 (Standard) (5 m)	Thermobarrier (-40°C to +140°C)
	Chamber leadthrough
	Climatic chamber support kit
	Remote control (Software)
Options:	Silencer
Different hole pattern of armature (different pitch diameter and/or thread inserts) at customers request	for cooling blower (Noise reduction 9 - 15 dB(A))
	Acoustic enclosure
	for cooling blower (Noise reduction 5 - 23 dB(A))
	Water-cooled acoustic enclosure
	for cooling blower (Noise reduction 30 dB(A))
	Cable extension
	Factory acceptance test

Features:
 Vibration isolation < 3 Hz (AIT)
 < 6 Hz (RIT;LB)
 Coarse filter unit
 Fully automatic pneumatic load compensation
 AIT fixable
 Automatic centering of the AIT-System and the armature
 Degauss kit to reduce stray magnetic field
 Integrated mains switch and line filter
 Integrated field power supply
 Energy-saving mode
 Noise-button
 Input voltage analyzer
 Voltage clipping limiter to avoid clipping
 3 Sigma peak current
 Made in Germany
 Servicehotline



Armature 440 (Standard)

TECHNICAL PARAMETERS Amplifier A 3 08 3 045

Output power _{rms}
 Frequency range
 Voltage _{rms}, max.
 Current _{rms}, max.
 Load resistance, opt.
 Signal input voltage _{rms} (switchable)
 Distortion
 Signal to noise ratio
 Field voltage, max.
 Field current, max.
 Weight
 Dimensions (WxHxD)
 Power supply (Standard)
 Recommended fuse protection (Standard)
 Max. power consumption at 400 V
 Interlocks:

45000 VA
 DC - 4 kHz
 150 V
 300 A
 1 Ohm
 2.5/5/10 V
 < 0.7 %
 > 90 dB
 105 V
 75 A
 620 kg
 600 x 2200 x 800 mm
 3~/N/PE 400 V±5% 50 Hz, CEE 63
 63 A slow
 25 kVA
 Overload, temperature, clipping
 and more

Features:
 High signal to noise ratio of > 90 dB
 Field supply integrated
 Mains switch and integrated line filter
 ESD-monitoring
 (Protection of the system against damage)
 Field voltage/field current variable
 according to customer spec.

Lo-Field/Hi-Field button (Energy-saving mode)
 Noise-button
 Input voltage analyzer
 Voltage clipping limiter to avoid
 clipping
 3 Sigma peak current

TECHNICAL PARAMETERS Cooling blower TB 7/FU/11

Volume flow rate
 Total pressure difference
 Power
 Frequency
 Hose diameter
 Hose length (Std.)
 Weight
 Dimensions (WxHxD)
 Sound pressure level, max.
 Frequency converter (fixation to wall):
 Weight
 Dimensions (WxHxD)
 Power supply (variable)
 Recommended fuse protection (Standard)
 Max. power consumption at 400 V

max. 1920 m³/h
 max. 10.2 - 10.6 kPa
 11 kW
 105 Hz
 150 mm
 5 m
 157 kg
 625 x 700 x 537 mm
 102 dB(A)

30 kg
 380 x 600 x 350 mm
 3~/PE 400 V±5% 50 Hz, CEE 32
 35 A slow
 17.5 kVA

Options:
 Silencer TB 7FU-SI (Noise reduction 9 - 15 dB(A))
 Dimensions (LxD): 1120 x 280 mm
 Weight: 9.2 kg
 Acoustic enclosure TB 7FU-AE (Noise reduction 5 - 23 dB(A))
 Dimensions (WxHxD): 1130 x 1630 x 1630 mm
 Weight: 103 kg
 Water-cooled acoustic enclosure WWT (Noise reduction 30 dB(A))
 Dimensions (WxHxD): 1500 x 2080 x 1200 mm
 Weight: 800 kg
 Hose length according to customers request (up to 10 m)



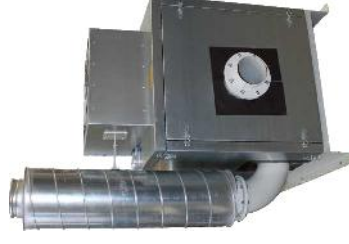
Frequency converter (enclosure)



Cooling blower TB 7/FU/11



Silencer TB 7FU-SI (optional)



Acoustic enclosure TB 7FU-AE (optional)