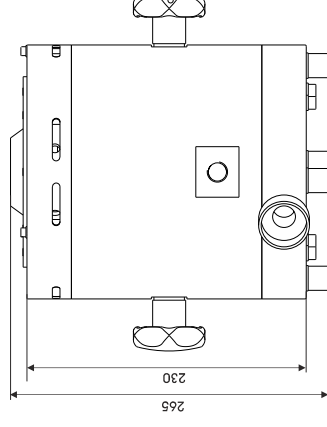


## TECHNICAL PARAMETERS Vibration exciter S 51120-C

Rated peak force  $S_{pk}/Random_{RMS}$   
 Frequency range  
 Main resonance frequency  
 Max. displacement Peak-Peak  
 Max. velocity Sine/Random  
 Max. acceleration Sine/Random  
 Effective moving mass  
 Weight  
 Armature diameter

200/100 N  
 40-20000 Hz  
 >25000 Hz  
 4 mm  
 1.2/1.2 m/s  
 51/25 g  
 0.40 kg  
 42 kg  
 54 mm



## SCOPE OF DELIVERY, OPTIONS AND FEATURES OF THE SYSTEM

### Scope of delivery:

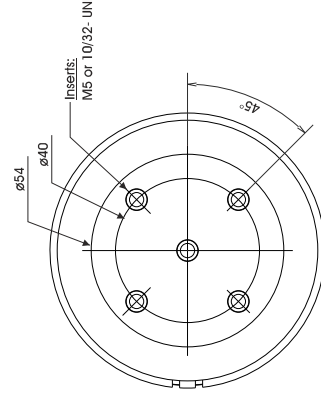
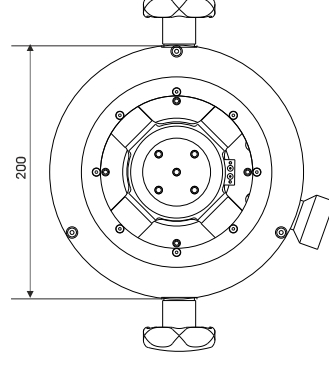
Vibration exciter 200 N  
 Swivel frame  
 Power amplifier 500 VA  
 Cooling blower  
 Connection cable (3 m)  
 Power cable amplifier (1.5 m)  
 Blower hose  $\varnothing 40$  mm (3 m)

### Options:

Rack for mounting the amplifier  
 Remote control (Hardware)  
 Silencer  
 for cooling blower (Noise reduction up to 5 dB(A))  
 Acoustic enclosure  
 for cooling blower (Noise reduction 15 - 23 dB(A))  
 Cable extension  
 Factory acceptance test

### Features:

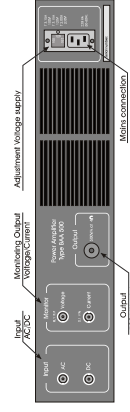
Vibration isolation  
 Coarse filter unit  
 Automatic centering of the armature  
 High cross-axial stiffness  
 Vibration system made of ceramic material  
 Minimum maintenance effort  
 Made in Germany  
 Servicehotline



## TECHNICAL PARAMETERS Amplifier BAA 500

Output power<sub>RMS</sub> 500 VA  
 Frequency range DC - 20 kHz  
 Voltage-/Current mode yes/yes  
 Voltage<sub>RMS</sub> max 45 V  
 Current<sub>RMS</sub> max 11.2 A  
 Load resistance, opt. 4 Ohm  
 Signal input voltage<sub>RMS</sub> < 5 V  
 Signal to noise ratio < 0.1 %  
 Weight > 90 dB  
 Dimensions (WxHxD) 25 kg  
 Power supply (Standard) 483 x 90 x 450 mm  
 Recommended fuse protection (Standard) 1 ~ / N / PE 230 V±5% 50 Hz, CEE 7/7  
 Max. power consumption at 230 V 16 A slow  
 Interlocks: 0.35 kVA  
 Overload, temperature, clipping and more

Features:  
 High Signal to noise ratio of > 90 dB



## TECHNICAL PARAMETERS Cooling blower TB 0080

Volume flow rate max. 80 m<sup>3</sup>/h  
 Total pressure difference max. 120 hPa  
 Power 0.37 kW  
 Frequency 50 Hz  
 Hose diameter 40 mm  
 Hose length (Std.) 3 m  
 Weight 10 kg  
 Dimensions (WxHxD) 246 x 256 x 247 mm  
 Sound pressure level, max. max. 53 dB(A)  
 Power supply (standard) 1 ~ / N / PE 230 V±5% 50 Hz, CEE 7/7  
 Max. power consumption at 230 V 0.46 kVA

Options:

Silencer TB 0080-SI (Noise reduction up to 5 dB(A))  
 Dimensions (LxD): 310 x 65 mm  
 Weight: 0.2 kg  
 Acoustic enclosure TB 0080-AE (Noise reduction 15 - 23 dB(A))  
 Dimensions (WxHxD): 795 x 841 x 699 mm  
 Weight: 45 kg  
 Hose length according to customers request (up to 10 m)



Cooling blower TB 0080



Silencer TB 0080-SI (optional)



Acoustic enclosure TB 0080-AE (optional)