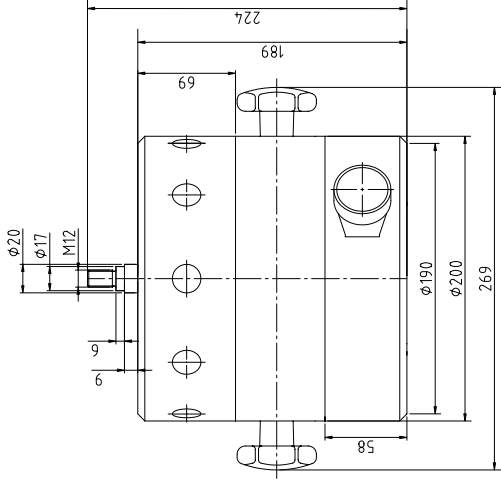


TECHNICAL PARAMETERS Vibration exciter S 51140-IN

Rated peak force $S_{pk}/Random_{RMS}$	400/311 N
Frequency range	2-2000 Hz
Max. displacement Peak-Peak	9 mm
Max. velocity Sine/Random	1.5/1.5 m/s
Max. acceleration Sine/Random	2.8/2 g
Suspension stiffness	56 N/mm
Effective moving mass	0.63 kg
Weight	16 kg
Coupling thread	M12



SCOPE OF DELIVERY, OPTIONS AND FEATURES OF THE SYSTEM

Scope of delivery:

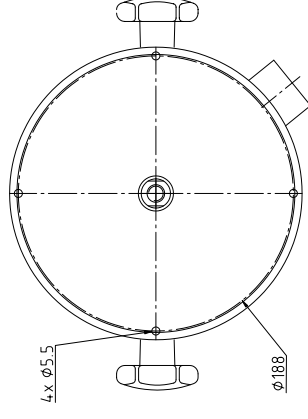
- Vibration exciter 400 N
- Power amplifier 1200 VA
- Cooling blower
- Connection cable (5 m)
- Power cable amplifier (1.5 m)
- Blower hose $\varnothing 40$ mm (3 m)

Options:

- Rack for mounting the amplifier
- Remote control (Hardware)
- Silencer for cooling blower (Noise reduction up to 8 dB(A))
- Acoustic enclosure for cooling blower (Noise reduction 15 - 23 dB(A))
- Cable extension
- Factory acceptance test

Features:

- Coarse filter unit
- Automatic centering of the armature
- High cross-axial stiffness
- Light weight construction by using rare earth magnet
- Minimum maintenance effort
- Made in Germany
- Servicehotline



TECHNICAL PARAMETERS Amplifier BAA 1000

Output power_{RMS} 1200 VA
 Frequency range 2 Hz - 20 kHz
 Voltage_{RMS}, max. 72 V
 Current_{RMS}, max. 18 A
 Load resistance, opt. 4 Ohm
 Signal input voltage_{RMS} < 5 V
 Distortion < 0.1 %
 Signal to noise ratio > 90 dB
 Weight 45 kg
 Dimensions (WxHxD) 483 x 190 x 600 mm
 Power supply (Standard) 1 ~ / N / PE 230 V±5% 50 Hz, CEE 7/7
 Recommended fuse protection at 230 V 16 A slow
 Max. power consumption at 230 V 1.22 kVA
 Interlocks: Overload, temperature, clipping and more

Features:
 High Signal to noise ratio of > 90 dB

TECHNICAL PARAMETERS Cooling blower TB 0140

Volume flow rate max. 140 m³/h
 Total pressure difference max. 120 mbar
 Power 1.1 kW
 Frequency 50 Hz
 Hose diameter 50 mm
 Hose length (Std.) 3 m
 Weight 16 kg
 Dimensions (WxHxD) 286 x 302 x 292 mm
 Sound pressure level, max. max. 63 dB(A)
 Power supply (Standard) 1 ~ / N / PE 230 V±5% 50 Hz, CEE 7/7
 Max. power consumption at 400 V 1.4 kVA

Options:

Silencer (Noise reduction up to 8 dB(A))
 Dimensions (LxD): 308 x 82 mm
 Weight: 0.2 kg
 Acoustic enclosure (Noise reduction 15 - 23 dB(A))
 Dimensions (WxHxD): 795 x 841 x 699 mm
 Weight: 45 kg
 Hose length according to customers request (up to 10 m)

TECHNICAL PARAMETERS Amplifier BAA 1000

Output power_{RMS} 1200 VA
 Frequency range 2 Hz - 20 kHz
 Voltage_{RMS}, max. 72 V
 Current_{RMS}, max. 18 A
 Load resistance, opt. 4 Ohm
 Signal input voltage_{RMS} < 5 V
 Distortion < 0.1 %
 Signal to noise ratio > 90 dB
 Weight 45 kg
 Dimensions (WxHxD) 483 x 190 x 600 mm
 Power supply (Standard) 1 ~ / N / PE 230 V±5% 50 Hz, CEE 7/7
 Recommended fuse protection at 230 V 16 A slow
 Max. power consumption at 230 V 1.22 kVA
 Interlocks: Overload, temperature, clipping and more

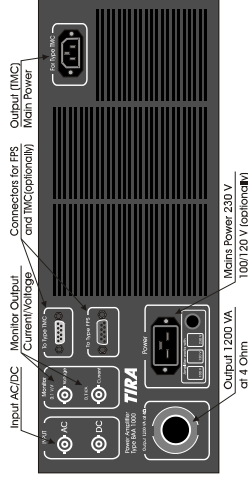
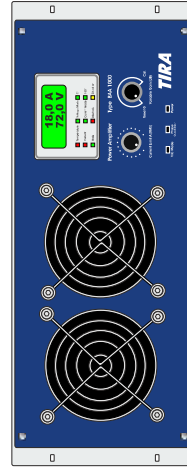
Features:
 High Signal to noise ratio of > 90 dB

TECHNICAL PARAMETERS Cooling blower TB 0140

Volume flow rate max. 140 m³/h
 Total pressure difference max. 120 mbar
 Power 1.1 kW
 Frequency 50 Hz
 Hose diameter 50 mm
 Hose length (Std.) 3 m
 Weight 16 kg
 Dimensions (WxHxD) 286 x 302 x 292 mm
 Sound pressure level, max. max. 63 dB(A)
 Power supply (Standard) 1 ~ / N / PE 230 V±5% 50 Hz, CEE 7/7
 Max. power consumption at 400 V 1.4 kVA

Options:

Silencer (Noise reduction up to 8 dB(A))
 Dimensions (LxD): 308 x 82 mm
 Weight: 0.2 kg
 Acoustic enclosure (Noise reduction 15 - 23 dB(A))
 Dimensions (WxHxD): 795 x 841 x 699 mm
 Weight: 45 kg
 Hose length according to customers request (up to 10 m)



Input AC/DC

Monitor Output Current/Voltage

Connectors for FFS and TMC(optional)

Output (TMC) Main Power

Output 1200 VA at 4 Ohm

Main Power 230 V 100/120 V (optional)



Acoustic enclosure TB 0140-AE (optional)



Silencer TB 0140-SI (optional)



Cooling blower TB 0140