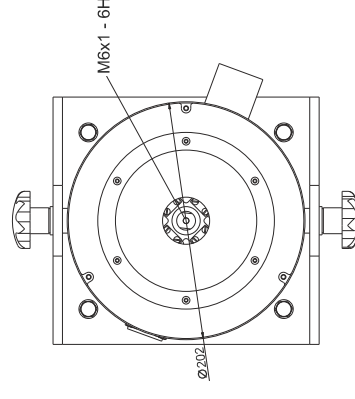
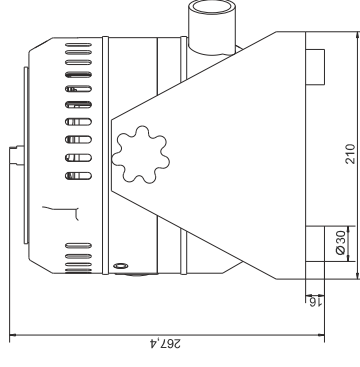
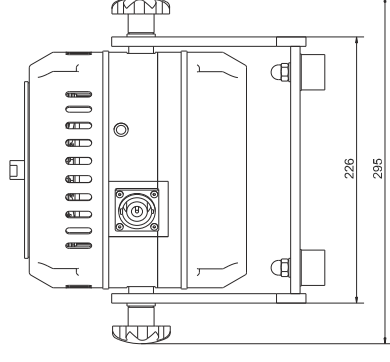


TECHNICAL PARAMETERS Modal exciter S 51140-M

Rated peak force $S_{pk}/Random_{RMS}$ 400/311 N
 Frequency range 5-5000 Hz
 Main resonance frequency (free-swinging) >2300 Hz
 Max. displacement Peak-Peak 20 mm
 Max. velocity Sine/Random 1.5/1.5 m/s
 Suspension stiffness 5 N/mm
 Effective moving mass 0.4 kg
 Weight 1.8 kg
 Coupling thread M6



SCOPE OF DELIVERY, OPTIONS AND FEATURES OF THE SYSTEM

Scope of delivery:
 Modal exciter 400 N
 Swivel frame
 Power amplifier 1200 VA
 Cooling blower
 Connection cable (3 m)
 Power cable amplifier (1.5 m)
 Blower hose \varnothing 40 mm (3 m)

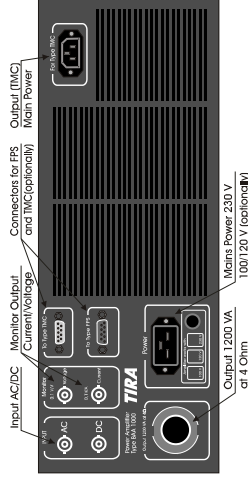
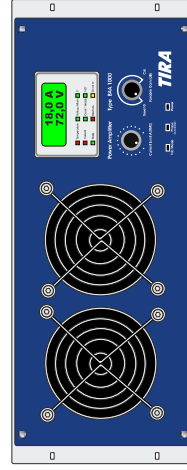
Options:
 Rack for mounting the amplifier
 Remote control (Hardware)
 Silencer
 for cooling blower (Noise reduction up to 8 dB(A))
 Acoustic enclosure
 for cooling blower (Noise reduction 15 - 23 dB(A))
 Cable extension
 Factory acceptance test

Features:
 Vibration isolation
 Coarse filter unit
 Automatic centering of the armature
 High cross-axial stiffness
 Light weight construction by using rare earth magnet
 Minimum maintenance effort
 Made in Germany
 Servicehotline

TECHNICAL PARAMETERS Amplifier BAA 1000

Output power_{RMS} 1200 VA
 Frequency range 2 Hz - 20 kHz
 Voltage_{RMS}, max. 72 V
 Current_{RMS}, max. 18 A
 Load resistance, opt. 4 Ohm
 Signal input voltage_{RMS} < 5 V
 Distortion < 0.1 %
 Signal to noise ratio > 90 dB
 Weight 45 kg
 Dimensions (WxHxD) 483 x 190 x 600 mm
 Power supply (Standard) 1 ~ / N / PE 230 V ± 5% 50 Hz, CEE 7/7
 Recommended fuse protection (Standard) 16 A slow
 Max. power consumption at 230 V 1.22 kVA
 Interlocks: Overload, temperature, clipping and more

Features:
 High Signal to noise ratio of > 90 dB



TECHNICAL PARAMETERS Cooling blower TB 0140

Volume flow rate max. 140 m³/h
 Total pressure difference max. 120 mbar
 Power 1.1 kW
 Frequency 50 Hz
 Hose diameter 50 mm
 Hose length (Std.) 3 m
 Weight 16 kg
 Dimensions (WxHxD) 286 x 302 x 292 mm
 Sound pressure level, max. max. 63 dB(A)
 Power supply (Standard) 1 ~ / N / PE 230 V ± 5% 50 Hz, CEE 7/7
 Max. power consumption at 400 V 1.4 kVA

Options:
 Silencer (Noise reduction up to 8 dB(A))
 Dimensions (LxD): 308 x 82 mm
 Weight: 0.2 kg
 Acoustic enclosure (Noise reduction 15 - 23 dB(A))
 Dimensions (WxHxD): 795 x 841 x 699 mm
 Weight: 45 kg
 Hose length according to customers request (up to 10 m)



Cooling blower TB 0140



Silencer TB 0140-SI (optional)



Acoustic enclosure TB 0140-AE (optional)