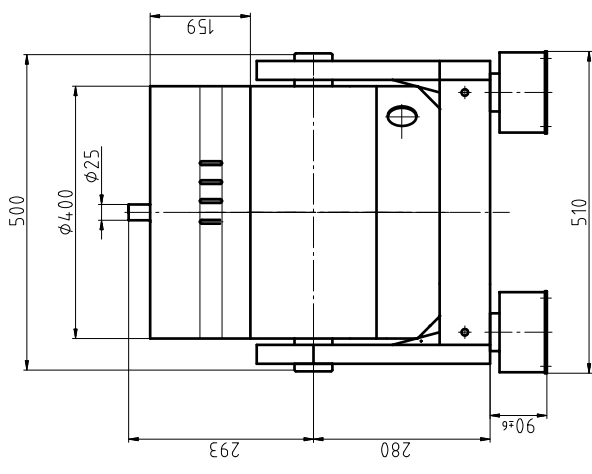
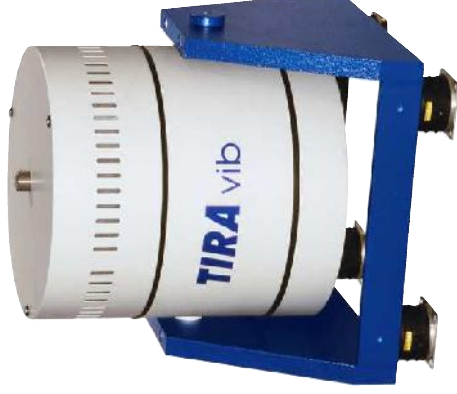


TECHNICAL PARAMETERS Modal exciter S 50350-M

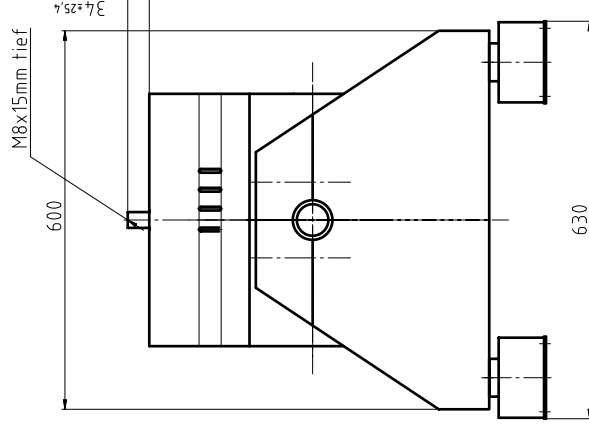
Rated peak force $S_{pk}/Random_{RMS}$	2700/2000 N
Frequency range	5-3000 Hz
Main resonance frequency	>3000 Hz
Max. displacement Peak-Peak	50.8 mm
Max. velocity Sine/Random	1.5/1.5 m/s
Suspension stiffness	electronically adjusted
Effective moving mass	2.3 kg
Weight	280 kg
Magn. stray field without/with degaussing	<8.5/<1 mT
Coupling thread	M8
Interlocks	Temperature, displacement, cooling air, overcurrent



1) theoretical maximum shock value. Depends on payload, amplifier, shock and shock width

SCOPE OF DELIVERY, OPTIONS AND FEATURES OF THE SYSTEM

Scope of delivery:	Options:	Features:
Modal exciter 2.7 kN	Degauss kit to reduce stray magnetic field	Vibration isolation < 6 Hz
Swivel frame	Squeak&Rattle (Silent operation without blower)	Coarse filter unit
Power amplifier 4.2 kVA	Remote control (Software)	Fully automatic electronic load compensation
Cooling blower	Silencer	Electronic zero point regulation with adjustable stiffness
Connection cables (each 5 m)	for cooling blower (Noise reduction up to 6 dB(A))	Automatic centering of the armature
Power cables (5 m)	Acoustic enclosure	Integrated mains switch and line filter
for amplifier (CEE 16 connector)	for cooling blower (Noise reduction 15 - 23 dB(A))	Integrated field power supply
Blower hose 600 mm (5 m)	Cable extension	Noise-button
	Factory acceptance test	Input voltage analyzer
		Voltage clipping limiter to avoid clipping
		3 Sigma Peak current
		Made in Germany
		Servicehotline



TECHNICAL PARAMETERS Amplifier A 1 01 1 004 T

Output power_{RMS}
 Frequency range
 Voltage_{RMS}, max.
 Current_{RMS}, max.
 Load resistance, opt.
 Signal input voltage_{RMS} (switchable)
 Distortion
 Signal to noise ratio
 Field voltage, max.
 Field current, max.
 Weight
 Dimensions (WxHxD)
 Power supply (Standard)
 Recommended fuse protection (Standard)
 Max. power consumption at 400 V (incl. blower)
 Interlocks:

Features:
 High signal to noise ratio of > 90 dB
 Field supply integrated
 Mains switch and integrated line filter
 ESD-monitoring
 (Protection of the system against damage)
 Field voltage/Field current variable
 according to customer spec.

4200 VA
 DC - 4 kHz
 105 V
 40 A
 2.6 Ohm
 2.5/5/10 V
 < 0.5 %
 > 90 dB
 100 V
 6 A
 225 kg
 600 x 1800 x 800 mm
 3~ / N / PE 400 V ± 5% 50 Hz, CEE 16
 1.6 A slow
 6 kVA
 Overload, temperature, clipping
 and more

Noise-button
 Input voltage analyzer
 Voltage clipping limiter to avoid
 clipping
 3 Sigma peak current
 Electronic zero-point-regulation (TMC)

TECHNICAL PARAMETERS Cooling blower TB 0310

Volume flow rate
 Total pressure difference
 Power
 Frequency
 Hose diameter
 Hose length (Std.)
 Weight
 Dimensions (WxHxD)
 Sound pressure level, max.
 Power supply (standard)
 Max. power consumption at 400 V

Options:
 Silencer TB 0310-SI (Noise reduction up to 6 dB(A))
 Dimensions (LxD): 308 x 82 mm
 Weight: 0.58 kg
 Acoustic enclosure TB 0310-AE (Noise reduction 15 - 23 dB(A))
 Dimensions (WxHxD): 795 x 841 x 836 mm
 Weight: 55 kg
 Hose length according to customer request (up to 10 m)



Cooling blower TB 0310



Silencer TB 0310-SI
(optional)



Acoustic enclosure TB 0310-AE
(optional)