

SEIT 1928

KONDENSATORMIKROFONE
FÜR STUDIO - UND MESSTECHNIK

MICROTECH GEFELL



1/2" Measuring Microphone Amplifier MV 230 *digital*

The measuring microphone amplifier MV 230 *digital* connects a high-ohm impedance converter made for condenser measuring microphone capsule with a complete analogue-digital converter. Thus, the transfer of high sound pressure using long cables is made possible without any – often unnoticed – sound deterioration. Every voltage necessary for using the measuring capsules is generated internally. EMV problems, as for example caused by mobile communication close to a microphone, are drastically reduced due to the conversion into digital information by the MV 230.

It's energy efficiency allows its application in connection with mobile as well as stationary multi-capsule technology.

The MV 230 supports digital transfer to AES 42-200 and AES 3-1992 (AES/EBU). It's dynamic range is the product of a simultaneous use of two 24-bit Sigma-Delta converters responsible for either low or high level signals.

- Dynamic range 140 dB
- Frequency range of signal 1 Hz- 40 kHz
- Sample rate 96 kHz/ 48 kHz
- Interface for AES 42-2001 und AES 3-1992 (AES/EBU)
- Energy efficient

Delivery

Measuring microphone amplifier MV 230 *digital* Order-No. 311214
with MH 93 microphone stand adaptor, in wooden case L x W x H 275 x 90 x 70 mm

Accessories, optional

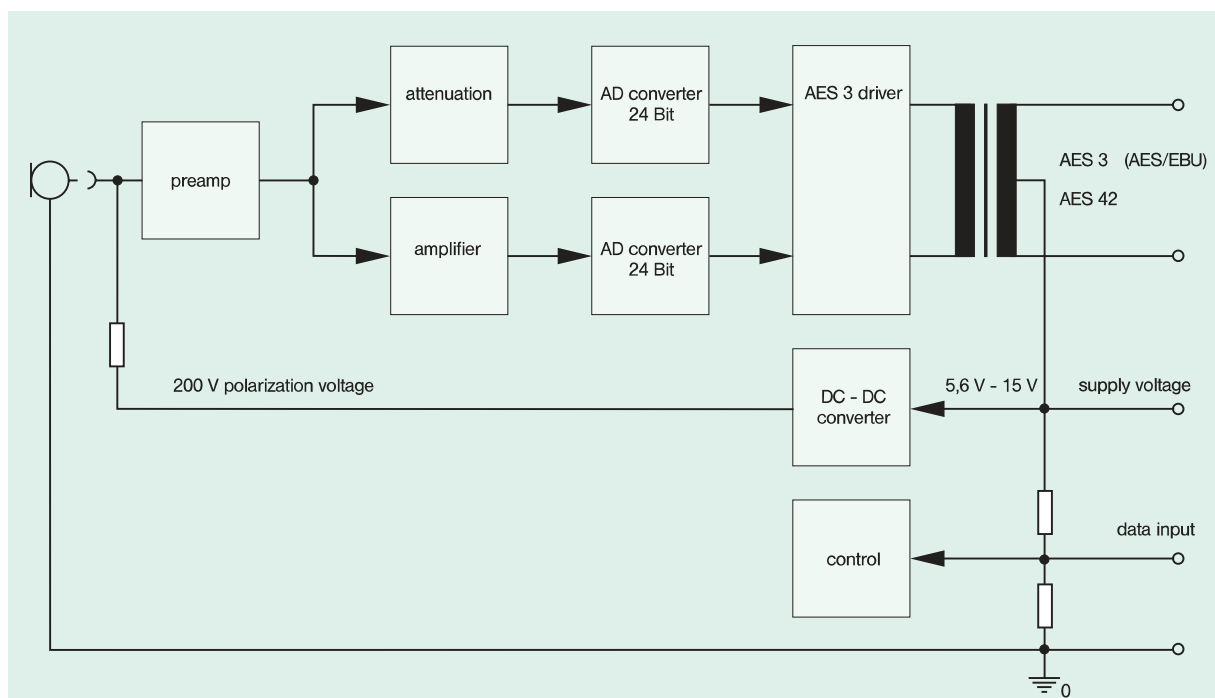
Microphone cable	C 23.1	10 m	Order-No. 302223
XLR five pin to XLR three pin, connection to AES 42-2001			
Microphone cable	C 24.1	10 m	Order-No. 302224
XLR five pin to XLR three pin, connection to AES 3-1992 (AES/ EBU)			



MV 230 *digital*
with MK 221 and MH 93

ADC	Sigma- Delta- Converter 24 Bit 96 kHz in two volume levels	
Energy consumption	< 100 mA	
Operating voltage	5,6 bis 15 V	
Polarization voltage	200 V	
Frequency range	1 Hz ... 40 kHz	
Dynamic range	> 140 dB in two separate volume levels	
Sample rate	96 kHz / 48 kHz	
Rated impedance	20 GΩ 0,2 pF	
Self noise	A-rated with microphone capsule MK 221	≤ 2,5 μV _{eff} 15 dB - A
Maximum input	Channel 1 Channel 2	24 V 0,24 V
Volume levels	Channel 1 Channel 2	with MK 221 (50 mV /Pa) 146 dB 106 dB
Remote control	High pass Sample rate Polarization	10 Hz 96 kHz / 48 kHz positive / negative
Connection to	1. AES 42 - 2001 2. AES 3 - 1992 (AES/EBU) + Supply voltage + Control remote data 3. SPDIF (on request)	
Connector	XLR 5 M	
Capsule connection	11,7 mm 60 UNS	
Size (L x Ø)	158 mm x 12,7/21 mm	
Weight	87 g	
Finish	nickel matt	

Block Diagram MV 230 *digital*



We reserve the right to improve quality, application and economy of our products without advance notice.